

DSC WMBF C

DESCENT Tap Range Descent Wall Mounted Bath Filler Chrome



Features:

- 3 tapholes
- Brass construction
- 3/4" valve

Product Certifications:

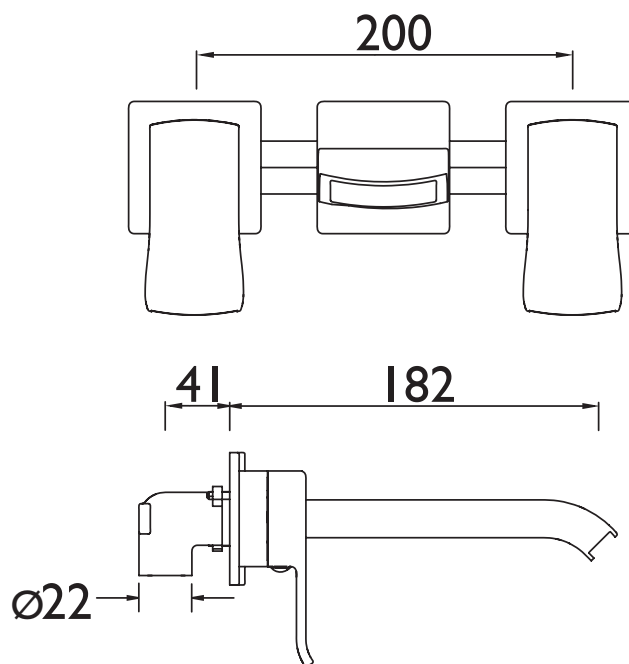
For more products, visit our website:



Specification

Style:	Contemporary
Product Type:	Bathroom Taps
Finish/Colour:	Chrome
Main Construction Material:	Brass
Mount Type:	Wall Mounted
Handle Type:	Lever
Connection Inlet:	22mm Compression Threaded Tail
Number of Tap Holes Required:	3
Valve/Cartridge Type:	3/4" Ceramic Disc Valves
Plumbing System Suitability	All
Working Pressure Range:	Min. 0.5 Bar, Max. 5.0 Bar
Maximum Hot Water Temperature: °c	60
Maximum Dynamic Pressure: (bar)	5
Maximum Static Pressure: (bar)	10
Flow Type:	Single Flow
Flow Rate: (l/min @ 3 bar)	55.4
Connection Outlet:	N/A
Isolation Included:	N

Dimensions (measurements in mm)



Flow Rates (l/min)

System Pressure (bar)	0.5	1	2	3	4	5
DSC WMBF C (Mixed)	22.4	32.5	45.2	55.4	63.9	71.4

TECHNICAL
DATA
SHEET



BRISTAN
TAPS & SHOWERS

D2