

DUL DSM C

DU LEVER Tap Range Design Utility Lever Deck Sink Mixer Chrome



Features:

- Supplied with metal back nuts
- Chrome plated to BS EN 248

Product Certifications:



Expiry: TA|31/05/2019_1405120



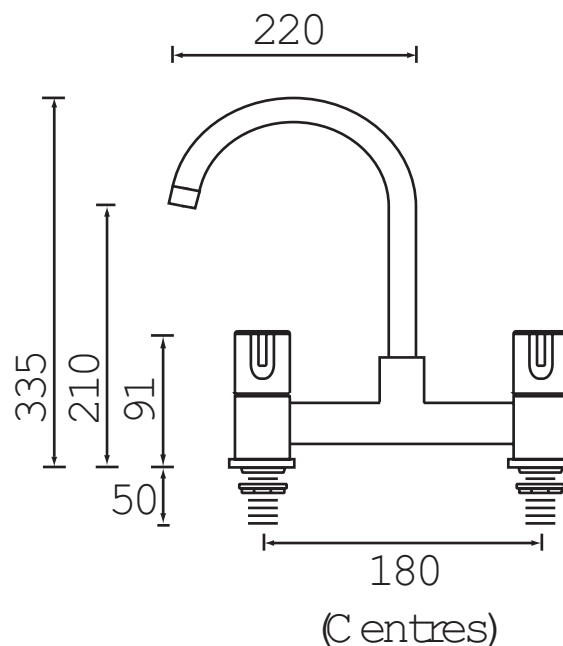
For more products, visit our website:
<http://www.bristan.com>



Specification

Style:	Contemporary
Product Type:	Taps
Finish/Colour:	Chrome
Main Construction Material:	Brass
Mount Type:	Deck
Handle Type:	Lever
Connection Inlet:	1/2" BSP
Connection Outlet:	N/A
Number of Tap Holes:	2
Valve/Cartridge Type:	Manual
Plumbing System Requirements:	All
Working Pressure Range:	0.2-5.0 Bar
Maximum Hot Water Temperature: °C	65
Maximum Dynamic Pressure: (bar)	5
Maximum Static Pressure: (bar)	10
Flow Type:	Single
Flow Rate: (l/min @ 3 bar)	57
Isolation Included:	No

Dimensions (measurements in mm)



Flow Rates (l/min)

System Pressure (bar)	0.2	0.5	1	2	3	5
DUL DSM C	12.5	21.9	32.3	46.2	57	74

TECHNICAL DATA SHEET



BRISTAN

TAPS & SHOWERS D4