

TECHNICAL DATA SHEET

DESIGN UTILITY LEVER

High Neck Pillar Taps



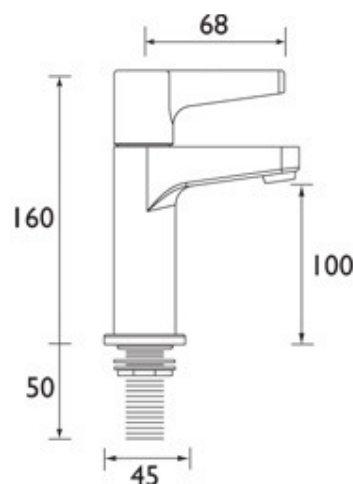
Product Specification

Product Code:	DUL HNK C
Finish:	Chrome
Product Type:	Utility
Construction:	Body is of Brass Construction and is designed to conform to BS EN 200
Valve Type:	¼ turn ½" Ceramic Disc Valves
Supply:	Suitable for all plumbing systems,
Inlet Connections:	½" BSP
Water Pressure:	Min 0.2 bar, Max. 8.0 bar



Additional Information

- Supplied with metal heads and backnuts
- Chrome plated to BS EN 248



Flow Rates (litres per minute)

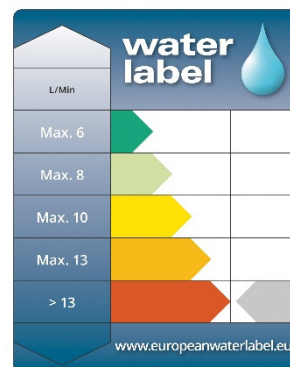
System Pressure	0.2bar	0.5bar	1.0bar	2.0bar	3.0bar	5.0bar
Sink Mixer (Mixed)	7.3	12.8	18.7	26.7	32.7	42.1

Compliance/Approvals

WRAS Approval No: 1404130

Technical Advice: For further information please call 0844 7016273 or email customercare@bristan.com

Guarantee: 5 years covering manufacturing faults.



Bristan, Birch Coppice Business Park, Dordon, Tamworth, B78 1SG
Telephone: 0844 701 6274 Facsimile: 0844 701 6275
Web Site: www.bristan.com Email: enquire@bristan.com



The information contained on this page was correct at date of issue. Fitting dimensions are provided as a guide only. Some variation may occur due to manufacturing tolerances. Bristan pursues a policy of continuing improvement in design and performance of its products and so reserves the right to change specifications without prior notice.