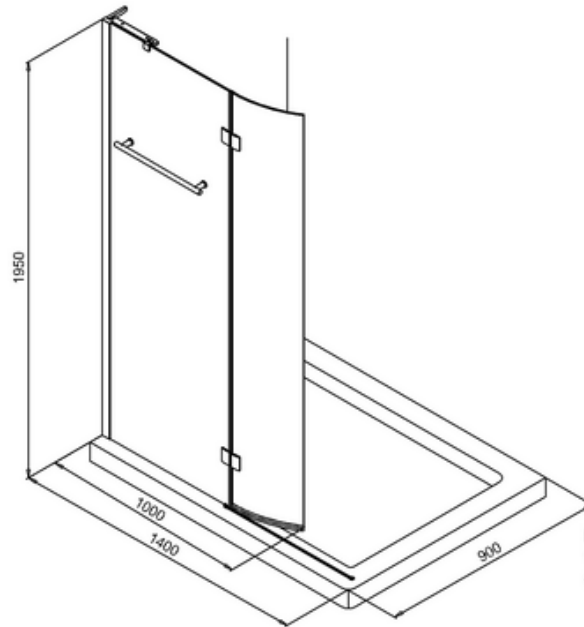
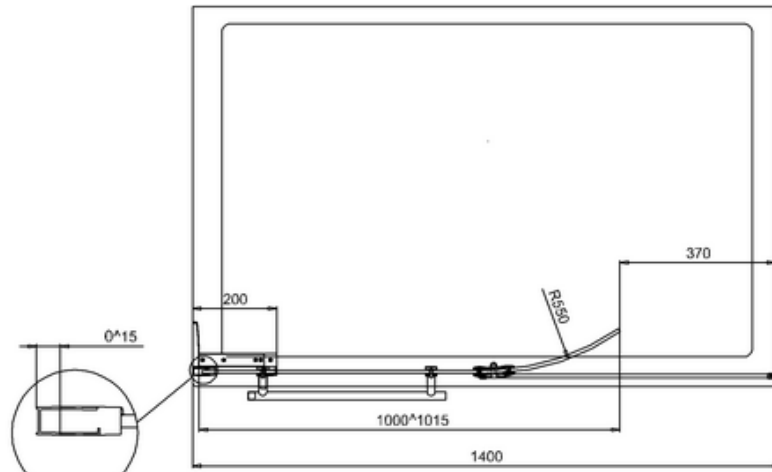


DWQSC1400+ - Design View Walk in Quadrant 1400



Note:
Whole dimension tolerance is ± 5 .
Glass dimension tolerance is ± 2 .