

FH SLRD03 C

Accessories Stainless Steel 300mm Round Fixed Head



Specification

Main Construction Material:	Stainless Steel
Connection Inlet:	G 1/2"
Connection Outlet:	N/A
Contemporary or Traditional:	Contemporary
Left or Right Handed:	Both
Rub Clean Handset:	Yes

Features:

- Supplied with swivel joint

Product Certifications:

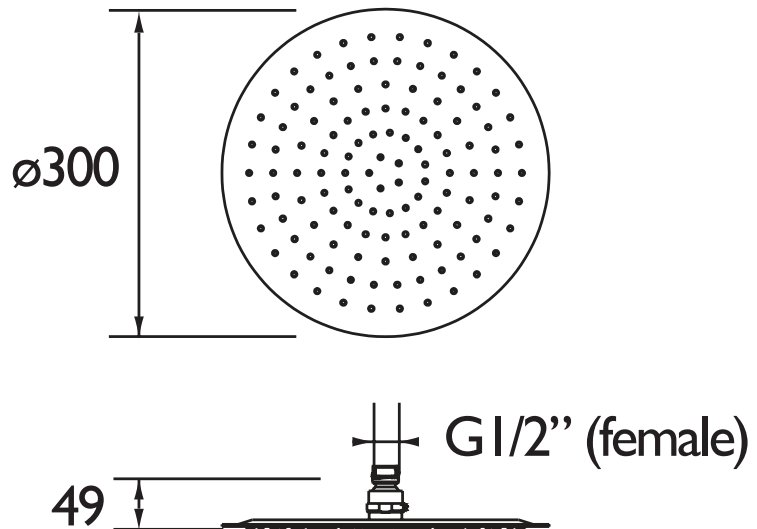


WRAS Certificate No: 1404950
WRAS Expiry Date: 30/04/2019

For more products, visit our website:
<http://www.bristan.com>



Dimensions (measurements in mm)



TECHNICAL DATA SHEET



BRISTAN

TAPS & SHOWERS

D2