

# FRZ 3/4 C

## FRENZY Tap Range Frenzy Bath Taps Chrome



Specification	
Style:	Contemporary
Product Type:	Bathroom Taps
Finish/Colour:	Chrome
Main Construction Material:	Brass
Mount Type:	Deck Mounted
Handle Type:	Paddle
Connection Inlet:	3/4" BSP
Number of Tap Holes Required:	2
Valve/Cartridge Type:	3/4" Ceramic Disc Valves
Plumbing System Suitability	All, preferably balanced
Working Pressure Range:	Min 0.3bar, Max 5.0bar
Maximum Hot Water Temperature: °c	65
Maximum Dynamic Pressure: (bar)	5
Maximum Static Pressure: (bar)	10
Flow Type:	Single Flow
Flow Rate: (l/min @ 3 bar)	60.5
Connection Outlet:	
Isolation Included:	No

### Features:

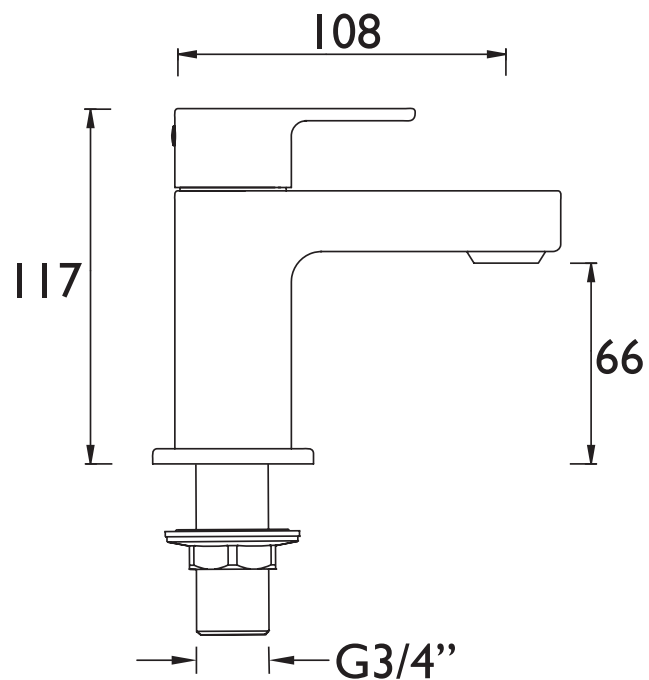
- Metal Backnuts
- Ceramic Disc

### Product Certifications:

For more products, visit our website:



### Dimensions (measurements in mm)



### Flow Rates (l/min)

System Pressure (bar)	0.3	0.5	1	2	3	5
FRZ 3/4 C (Hot)	19	24.6	35	49.4	60.5	78.1

TECHNICAL  
DATA  
SHEET



**BRISTAN**  
TAPS & SHOWERS

D2