

PRODUCT DATA SHEET



PRODUCT CODE
GL3516FNO+

RANGE
GLIDE II

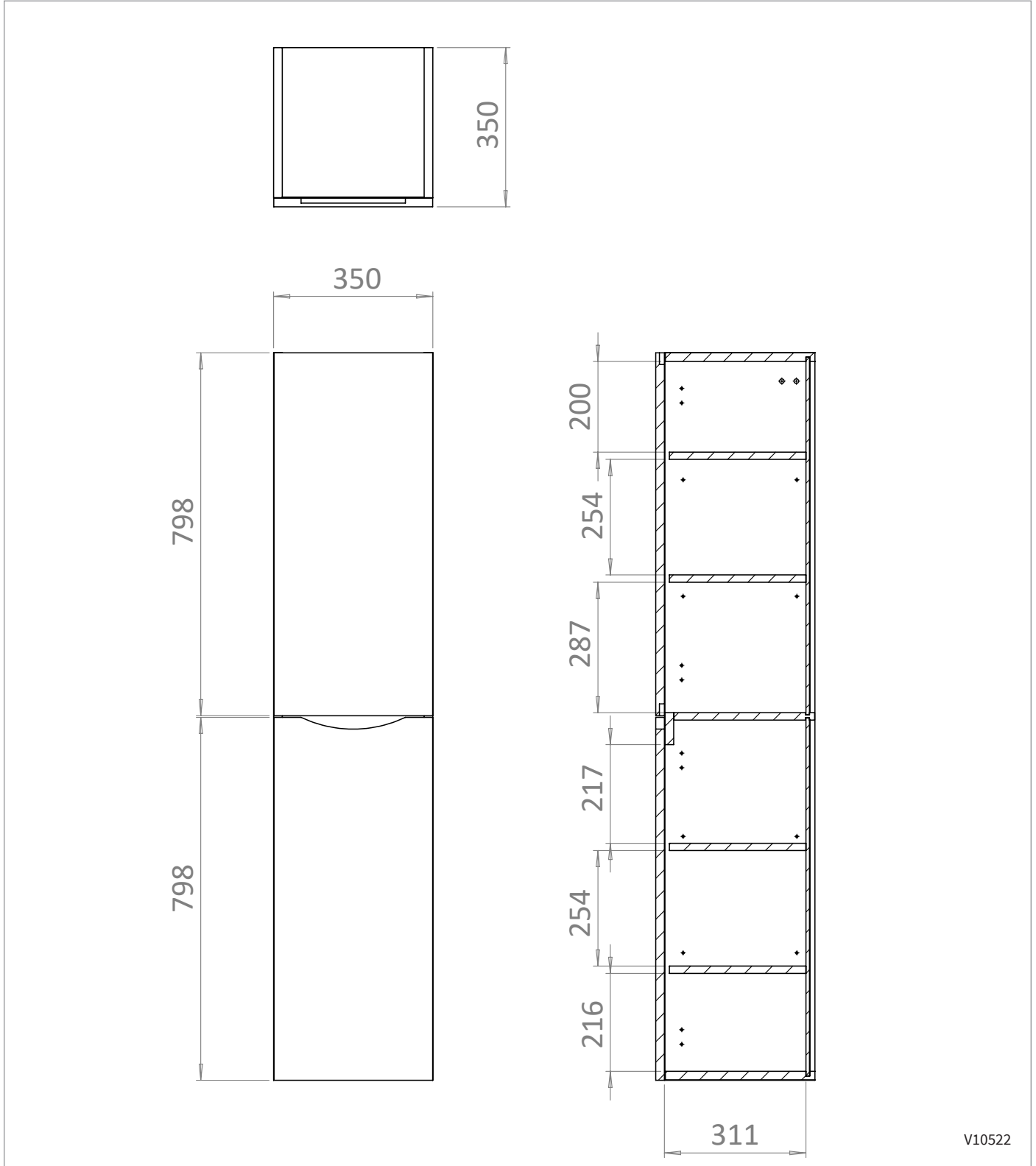
DESCRIPTION
Tower Unit Nordic Oak With Shelves

COLOUR	Nordic Oak
COLOUR CODE/ REFERENCE	Crosswater Exclusive
MATERIAL	16mm and 18mm MDF/MFC
STANDARDS	EN 13986 EN 14749
INSTALLATION TYPE	Wall-Mounted
HINGES	Soft Close Hinges 95 Degree
WALL HANGERS	CAMAR with Safety Lock - Factory Fitted 120kg Load Capacity Per Pair On A Solid Wall 3 Way Adjustment
ADJUSTABLE FEET	No
WEIGHT	23kg
WARRANTY	10 Years

TECHNICAL DIMENSIONS

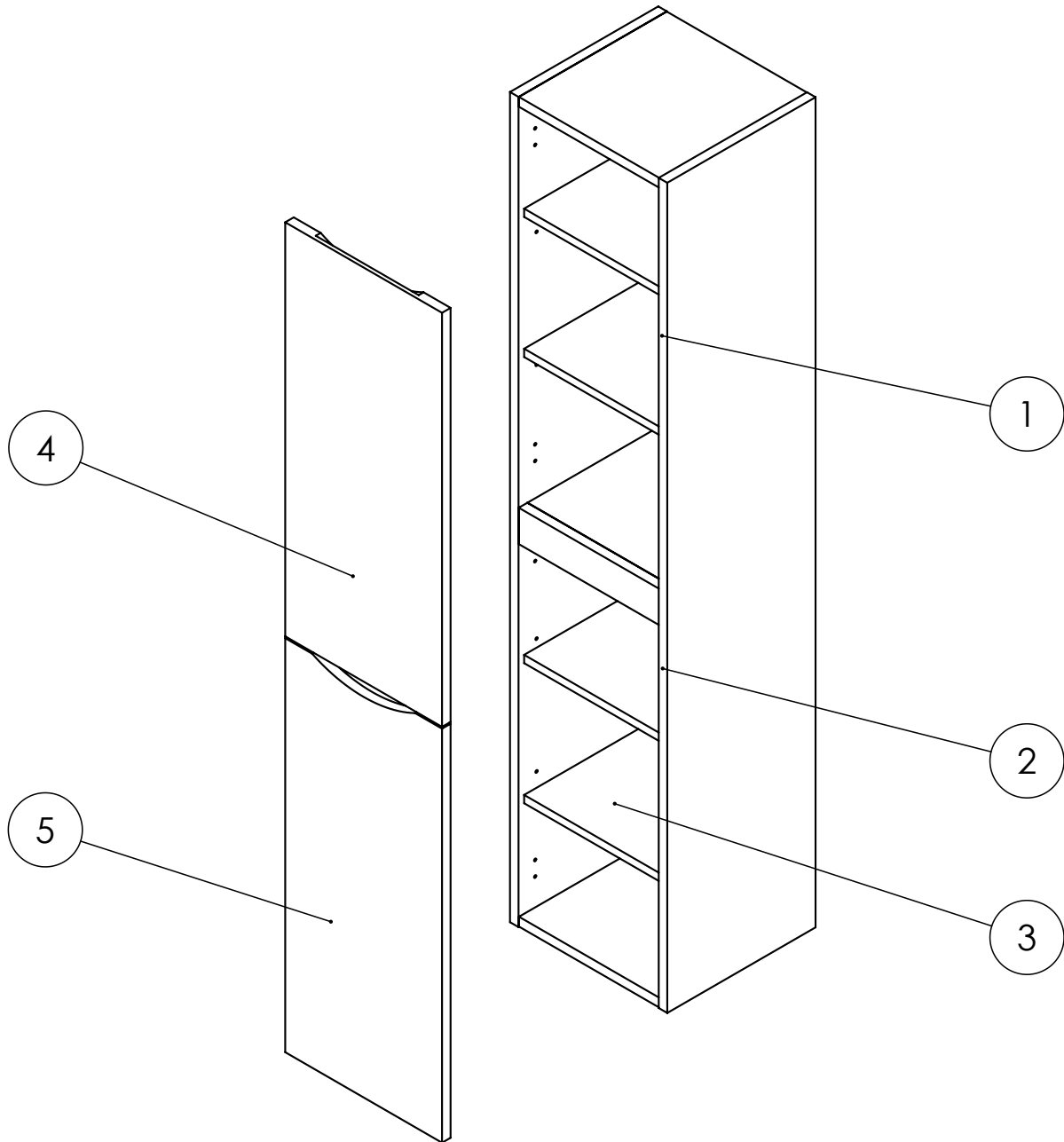
Dimensions in mm unless otherwise specified.

Tolerances (per material type) apply.



V10522

SPARES DIAGRAM



Only the parts labelled are available as spares.

V10522

SPARES DIAGRAM

NUMBER	PART CODE	DESCRIPTION
1	DOHI_TOPGL3516F+	Top Door Soft Close Hinge X2 for GL3516F
2	DOHI_LOWERGL3516F+	Lower Door Soft Close Hinge X2 for GL3516F
3	SH_3516GL	Glide II Tower Internal Shelf
3	WB875ACZ10047	Glide II Furniture Wall Brackets Tower Unit
4	TDF_3516GLFNO	Glide II Top Drawer Front - Nordic Oak
	TDF_3516GLFBS	Glide II Top Drawer Front - Blue Smoke
	TDF_3516GLFSG	Glide II Top Drawer Front - Storm Grey
	TDF_3516GLFWG	Glide II Top Drawer Front - White Gloss
	TDF_3516GLFWO	Glide II Top Drawer Front - Windsor Oak
	TDF_3516GLFST+	Glide II Top Drawer Front - Steelwood
	TDF_3516GLFBM	Glide II Top Drawer Front - Matt Black
5	BDF_3516GLFNO	Glide II Bot Drawer Front - Nordic Oak
	BDF_3516GLFBS	Glide II Bot Drawer Front - Blue Smoke
	BDF_3516GLFSG	Glide II Bot Drawer Front - Storm Grey
	BDF_3516GLFWG	Glide II Bot Drawer Front - White Gloss
	BDF_3516GLFWO	Glide II Bot Drawer Front - Windsor Oak
	BDF_3516GLFST+	Glide II Bot Drawer Front - Steelwood
	BDF_3516GLFBM	Glide II Bot Drawer Front - Matt Black
	WGREPAIR	Touch Up Kit White Gloss
	BSREPAIR	Touch Up Kit Blue Smoke
	SGREPAIR	Touch Up Kit Storm Grey
	BMREPAIR	Touch Up Kit Matt Black

Only the parts labelled are available as spares.

V10522