

# GLD BSM C

## GLIDE Tap Range Glide Bath Shower Mixer Chrome



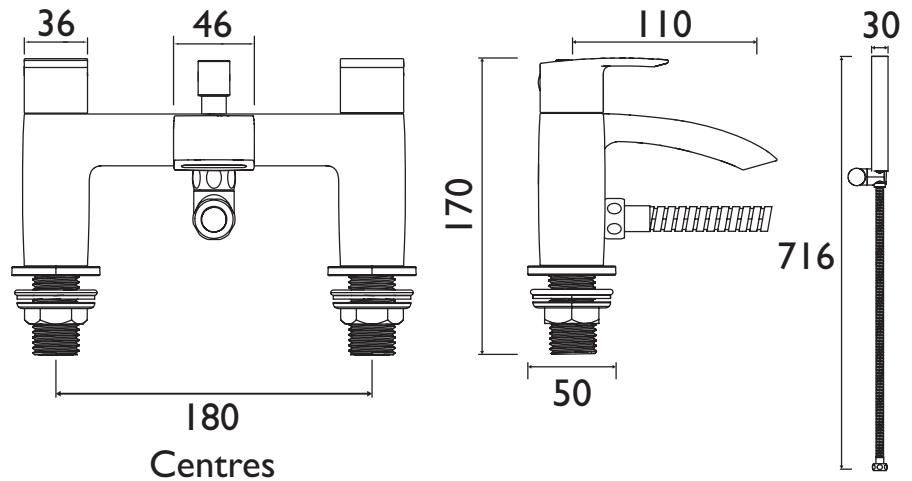
### Features:

- Metal Backnuts
- Ceramic Disc

### Specification

<b>Style:</b>	Contemporary
<b>Product Type:</b>	Bathroom Taps
<b>Finish/Colour:</b>	Chrome Plated
<b>Main Construction Material:</b>	Brass
<b>Mount Type:</b>	Deck Mounted
<b>Handle Type:</b>	Lever
<b>Connection Inlet:</b>	3/4" BSP Male Connector
<b>Connection Outlet:</b>	N/A
<b>Number of Tap Holes:</b>	2
<b>Valve/Cartridge Type:</b>	3/4" CD Valves 1/4 Turn
<b>Plumbing System Requirements:</b>	All Plumbing Systems
<b>Working Pressure Range:</b>	0.2-5.0
<b>Maximum Hot Water Temperature: °C</b>	65
<b>Maximum Dynamic Pressure: (bar)</b>	5
<b>Maximum Static Pressure: (bar)</b>	10
<b>Flow Type:</b>	Single
<b>Flow Rate: (l/min @ 3 bar)</b>	13
<b>Isolation Included:</b>	No

### Dimensions (measurements in mm)



For more products, visit our website:  
<http://www.bristan.com>



### Flow Rates (l/min)

System Pressure (bar)	0.2	0.5	1	2	3	5
GLD BSM C	3	5.1	6.2	10.3	13	17.1

TECHNICAL  
DATA  
SHEET



**BRISTAN**  
TAPS & SHOWERS

D1