

GLL PROSNK C

GALLERY Tap Range Gallery Pro Glide Professional Sink Mixer Chrome



Specification

Style:	Contemporary
Product Type:	Kitchen Taps
Finish/Colour:	Chrome
Main Construction Material:	Brass
Mount Type:	Deck Mounted
Handle Type:	Lever
Connection Inlet:	1/2" BSP Flexible Tails
Connection Outlet:	Dual-Function Handset
Number of Tap Holes:	1
Valve/Cartridge Type:	35mm Cartridge
Plumbing System Requirements:	High Pressure Systems Only
Working Pressure Range:	Min 1.5 Bar, Max 5.0 Bar
Maximum Hot Water Temperature: °C	65
Maximum Dynamic Pressure: (bar)	5
Maximum Static Pressure: (bar)	10
Flow Type:	Dual Flow
Flow Rate: (l/min @ 3 bar)	7.3
Isolation Included:	No

Features:

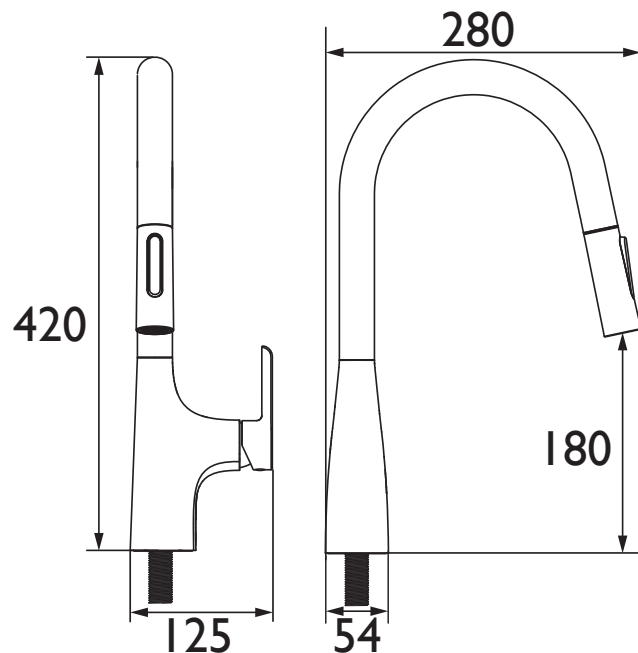
- Pull-out handset with 600mm flexible hose
- Intelligently designed spout ensures the handset rotates to the correct angle, whilst two magnets ensure the hose and handset is perfectly retracted and docked every time
- Flexible tails included
- Particular attention should be paid to this product which will need to be installed in accordance with your local Water Authority/Water Regulations

Product Certifications:

For more products, visit our website:
<http://www.bristan.com>



Dimensions (measurements in mm)



Flow Rates (l/min)

System Pressure (bar)	1.5	2	3	4	5
GLL PROSNK C	5.1	5.8	7.3	8.4	9.4

TECHNICAL
DATA
SHEET



BRISTAN
TAPS & SHOWERS

D1