

HAND117 C

Accessories Square Handset Chrome



Specification

Main Construction Material:	ABS
Connection Inlet:	1/2" BSP
Contemporary or Traditional:	Contemporary
Rub Clean Handset:	Yes
Minimum Dynamic Pressure:	0.2 Bar
Maximum Dynamic Pressure:	5.0 Bar
Maximum Static Pressure:	10

Features:

- Single function, rub clean, anti-limescale handset
- Chrome plated to BS EN 248

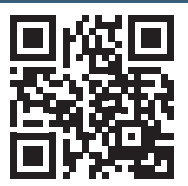
Product Certifications:



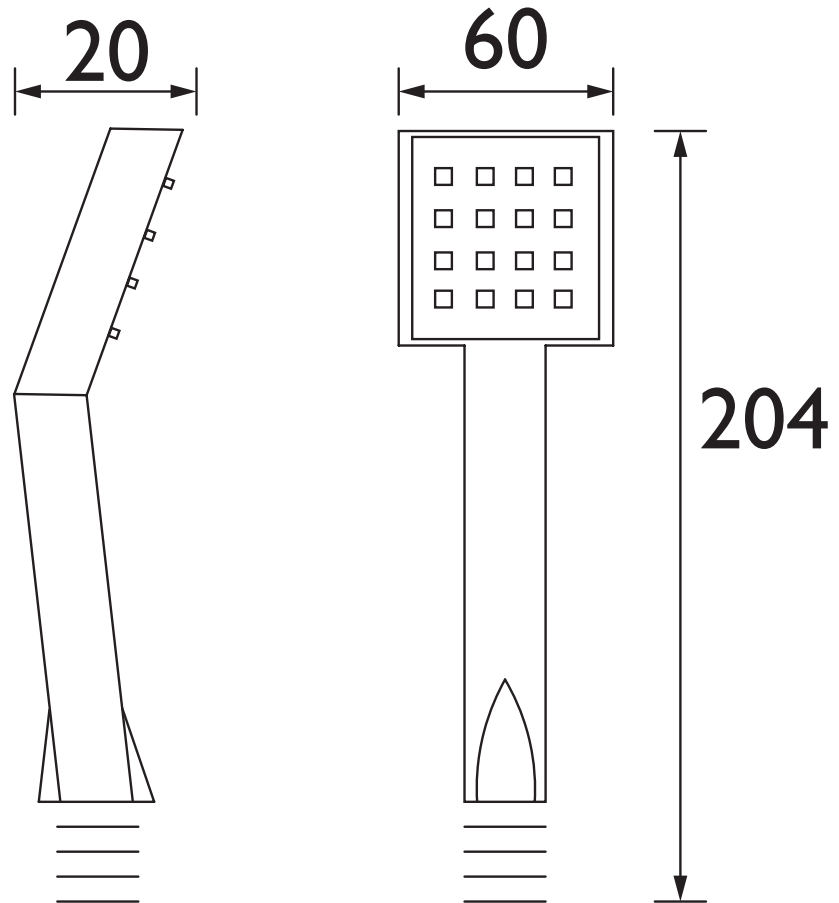
WRAS Certificate No: 2011094
WRAS Expiry Date: 30/11/2025



For more products, visit our website:
<http://www.bristan.com>



Dimensions (measurements in mm)



Flow Rates (l/min)

System Pressure (bar)	0.2	0.5	1	2	3	5
HAND117 C	3.70	6.46	9.60	14.03	17.61	23.64

TECHNICAL DATA SHEET



BRISTAN

D4