

# J 1/2 E4 C

## JAVA Tap Range Java Basin Pillar Taps Eco4 Chrome



### Features:

- Brass construction
- Ceramic disc valve for smooth flow control
- Easy-to-use lever handles

### Product Certifications:



For more products, visit our website:



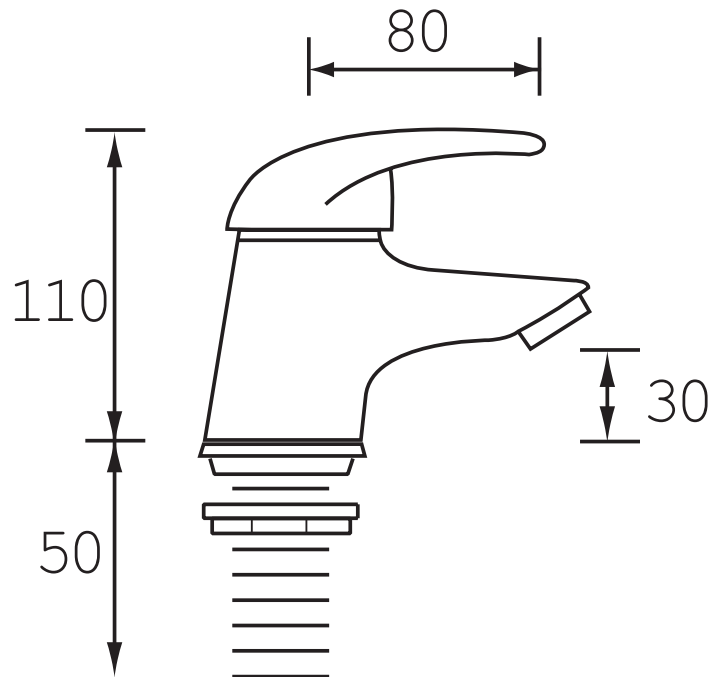
TECHNICAL  
DATA  
SHEET



### Specification

Style:	Contemporary
Product Type:	Bathroom taps
Finish/Colour:	Chrome
Main Construction Material:	Brass
Mount Type:	Deck
Handle Type:	Paddle
Connection Inlet:	1/2" BSP
Number of Tap Holes Required:	2
Valve/Cartridge Type:	1/2" Ceramic Disc Valve
Plumbing System Suitability	All
Working Pressure Range:	Min 0.2 bar - Max 5 bar
Maximum Hot Water Temperature: °c	65
Maximum Dynamic Pressure: (bar)	5
Maximum Static Pressure: (bar)	10
Flow Type:	Single Flow
Flow Rate: (l/min @ 3 bar)	34.7
Connection Outlet:	M18 Flow Straightener
Isolation Included:	No

### Dimensions (measurements in mm)



### Flow Rates (l/min)

System Pressure (bar)	0.2	0.5	1	2	3	5
Without Flow Regulator Fitted	8.2	13.6	19.8	28.4	34.7	42.5
With 4 l/p/m Flow Regulator Fitted	--	--	4.0	4.0	4.0	4.0

**BRISTAN**  
TAPS & SHOWERS

D2