

J BAS E4 C

JAVA Tap Range Java Basin Mixer Eco4 with Pop-up Waste



Features:

- Brass construction
- Ceramic disc cartridge for smooth temperature and flow control
- Easy-to-use lever handle
- Product supplied with a 3.5 litre per minute flow regulator

Product Certifications:



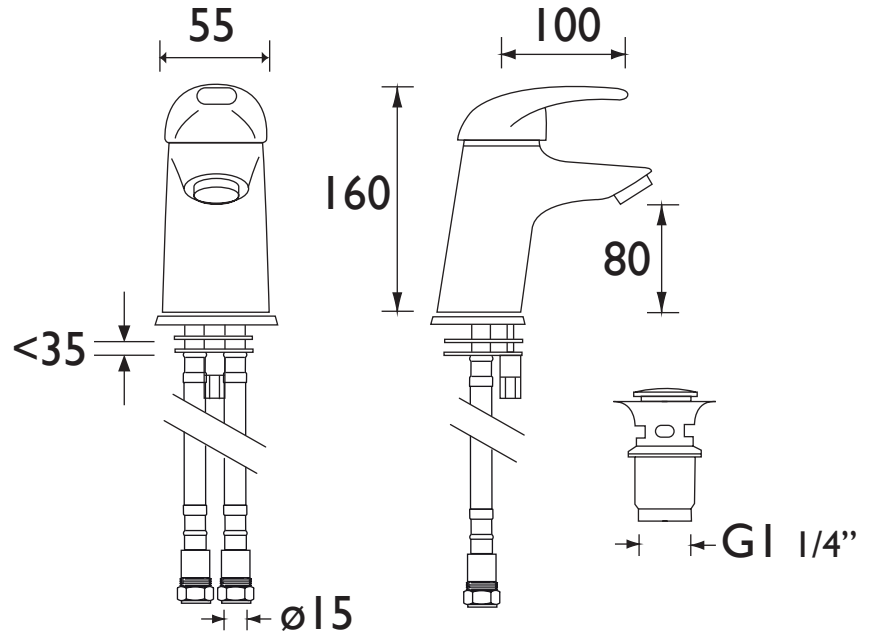
For more products, visit our website:



Specification

| | |
|--|----------------------------|
| Style: | Contemporary |
| Product Type: | Bathroom Taps |
| Finish/Colour: | Chrome |
| Main Construction Material: | Brass |
| Mount Type: | Deck |
| Handle Type: | Single Lever |
| Connection Inlet: | 1/2" BSP Flexible Tails |
| Number of Tap Holes Required: | 1 |
| Valve/Cartridge Type: | 40mm Ceramic Cartridge |
| Plumbing System Suitability | All |
| Working Pressure Range: | Min. 0.2 bar, Max. 5.0 bar |
| Maximum Hot Water Temperature: °c | 65 |
| Maximum Dynamic Pressure: (bar) | 5 |
| Maximum Static Pressure: (bar) | 10 |
| Flow Type: | Single Flow |
| Flow Rate: (l/min @ 3 bar) | 26.1 |
| Connection Outlet: | |
| Isolation Included: | No |

Dimensions (measurements in mm)



Flow Rates (l/min)

| System Pressure (bar) | 0.2 | 0.5 | 1 | 2 | 3 | 5 |
|-----------------------|-----|------|------|------|------|------|
| J BAS E4 C | 5.9 | 10.3 | 14.7 | 21.1 | 26.1 | 33.4 |

**TECHNICAL
DATA
SHEET**



BRISTAN
TAPS & SHOWERS

D4