

J BAS E6 C

JAVA Tap Range Java Basin Mixer Eco6 with Pop-up Waste



Features:

- Brass construction
- Ceramic disc cartridge for smooth temperature and flow control
- Easy-to-use lever handle
- Product supplied with a 6 litre per minute flow regulator

Product Certifications:



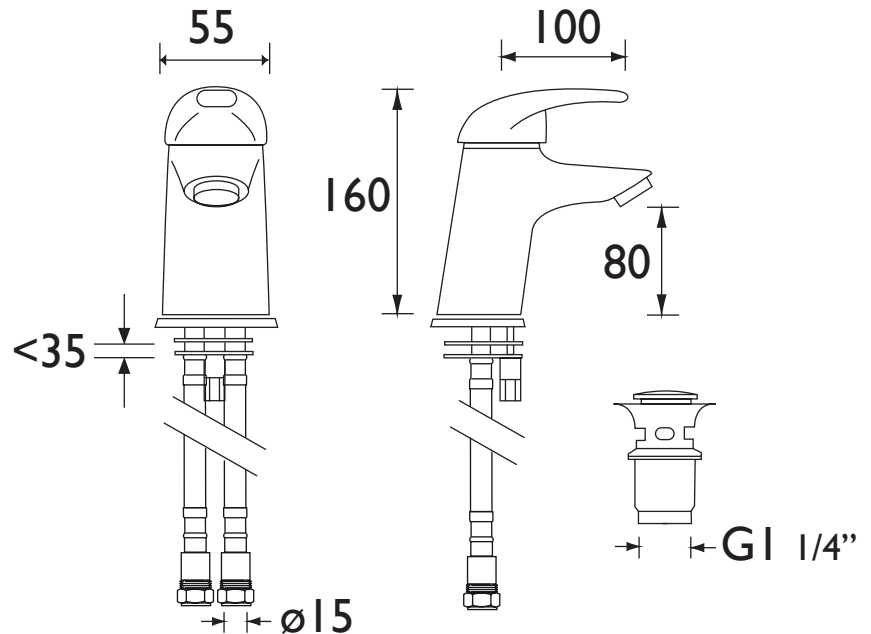
For more products, visit our website:



Specification

Style:	Contemporary
Product Type:	Bathroom Taps
Finish/Colour:	Chrome
Main Construction Material:	Brass
Mount Type:	Deck
Handle Type:	Single Lever
Connection Inlet:	1/2" BSP Flexible Tails
Number of Tap Holes Required:	1
Valve/Cartridge Type:	40mm Ceramic Cartridge
Plumbing System Suitability	All
Working Pressure Range:	Min. 0.2 bar, Max. 5.0 bar
Maximum Hot Water Temperature: °c	65
Maximum Dynamic Pressure: (bar)	5
Maximum Static Pressure: (bar)	10
Flow Type:	Single Flow
Flow Rate: (l/min @ 3 bar)	26.1
Connection Outlet:	
Isolation Included:	No

Dimensions (measurements in mm)



Flow Rates (l/min)

System Pressure (bar)	0.2	0.5	1	2	3	5
J BAS E6 C	5.9	10.3	14.7	21.1	26.1	33.4

**TECHNICAL
DATA
SHEET**



BRISTAN
TAPS & SHOWERS

D4