

# J BID C

## JAVA Tap Range

Java Bidet Mixer with  
Pop-up Waste Chrome



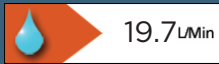
### Specification

<b>Style:</b>	Contemporary
<b>Product Type:</b>	Bathroom Tap
<b>Main Construction Material:</b>	Brass
<b>Mount Type:</b>	Deck Mounted
<b>Handle Type:</b>	Single Lever
<b>Connection Inlet:</b>	1/2 BSP Flexi Tails
<b>Connection Outlet:</b>	N/A
<b>Number of Tap Holes:</b>	1
<b>Valve/Cartridge Type:</b>	40mm Ceramic Cartridge
<b>Plumbing System Requirements:</b>	All
<b>Working Pressure Range:</b>	Min. 0.2 bar, Max. 5.0 bar
<b>Maximum Hot Water Temperature: °C</b>	65
<b>Maximum Dynamic Pressure: (bar)</b>	5
<b>Maximum Static Pressure: (bar)</b>	10
<b>Flow Type:</b>	Single
<b>Flow Rate: (l/min @ 3 bar)</b>	21.6
<b>Isolation Included:</b>	No

### Features:

- Brass construction
- Ceramic disc cartridge for smooth temperature and flow control
- Easy-to-use lever handle
- Metal fixing nut for added durability

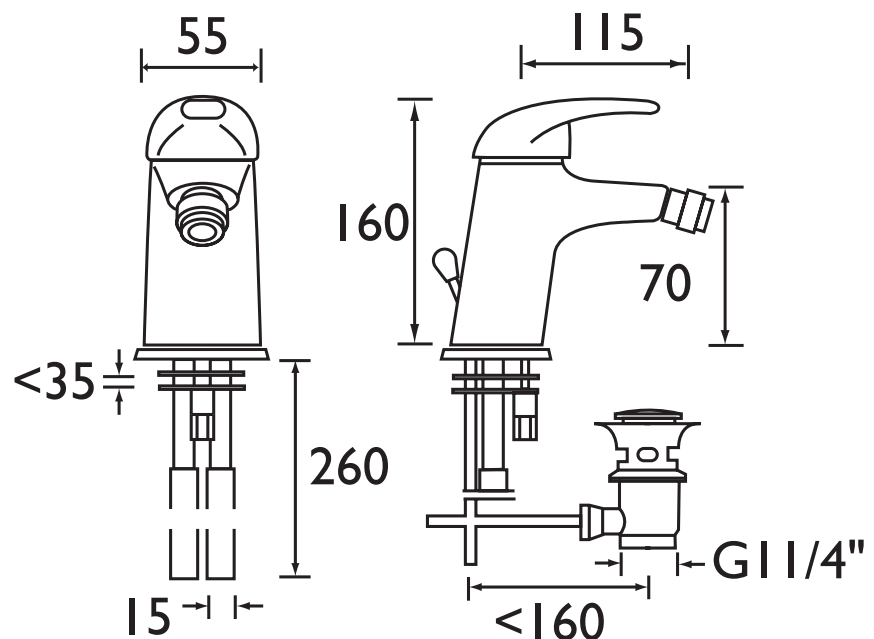
### Product Certifications:



For more products, visit our website:  
<http://www.bristan.com>



### Dimensions (measurements in mm)



### Flow Rates (l/min)

System Pressure (bar)	0.2	0.5	1	2	3	5
J BID C	4.8	8.3	12.2	17.5	21.6	28.3

TECHNICAL  
DATA  
SHEET



**BRISTAN**  
TAPS & SHOWERS

D7