



Specification	
Style:	Contemporary
Product Type:	Bathroom Taps
Finish/Colour:	Chrome
Main Construction Material:	Brass
Mount Type:	Wall Mounted
Handle Type:	Single Lever
Connection Inlet:	1/2" BSP
Number of Tap Holes Required:	2
Valve/Cartridge Type:	40mm Ceramic Cartridge
Plumbing System Suitability	High Pressure Systems, ideally balanced
Working Pressure Range:	Min. 1.0 bar, Max. 5.0 bar
Maximum Hot Water Temperature: °c	65
Maximum Dynamic Pressure: (bar)	5
Maximum Static Pressure: (bar)	10
Flow Type:	Single Flow
Flow Rate: (l/min @ 3 bar)	16.3
Connection Outlet:	
Isolation Included:	No

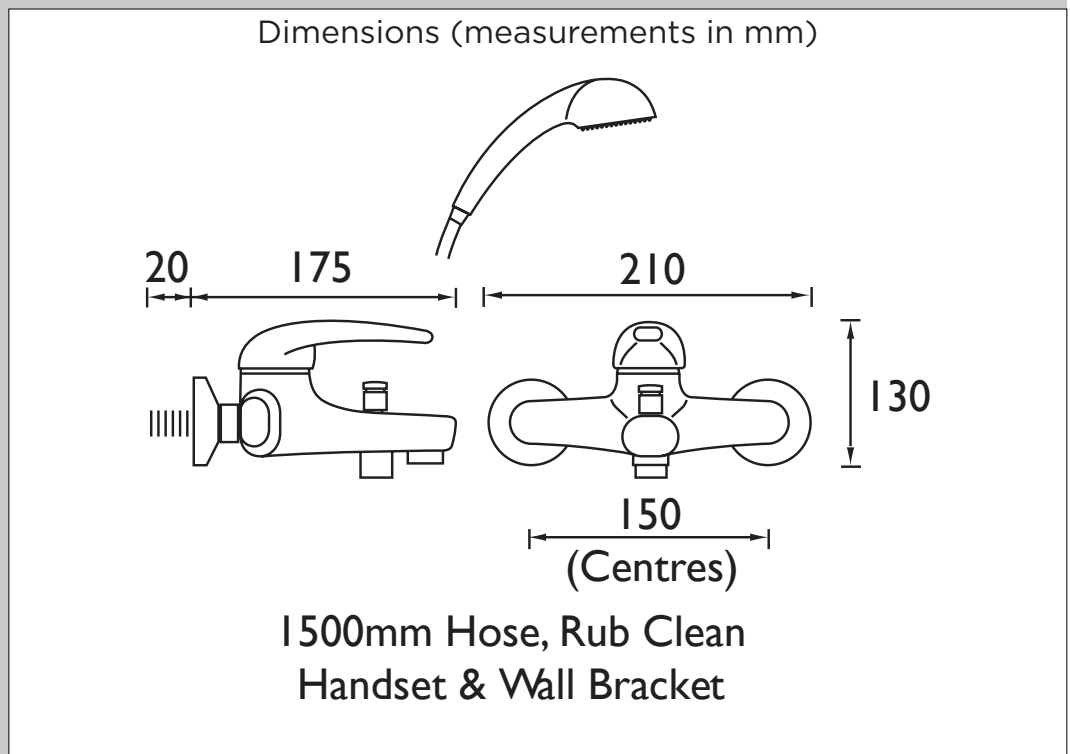
Features:

- Ceramic disc cartridge for smooth temperature and flow control
- Operates at a minimum pressure of 1 bar
- Easy-to-use lever handle
- Single-function rub-clean anti-limescale handset and wall bracket

Product Certifications:



For more products, visit our website:



Flow Rates (l/min)					
System Pressure (bar)	1	2	3	4	5
Through Handset (Mixed)	8.3	12.7	16.3	19.9	23.4
Through Bath Filler (Mixed)	15.4	22	27.2	31.5	35.2

TECHNICAL
DATA
SHEET



BRISTAN
TAPS & SHOWERS