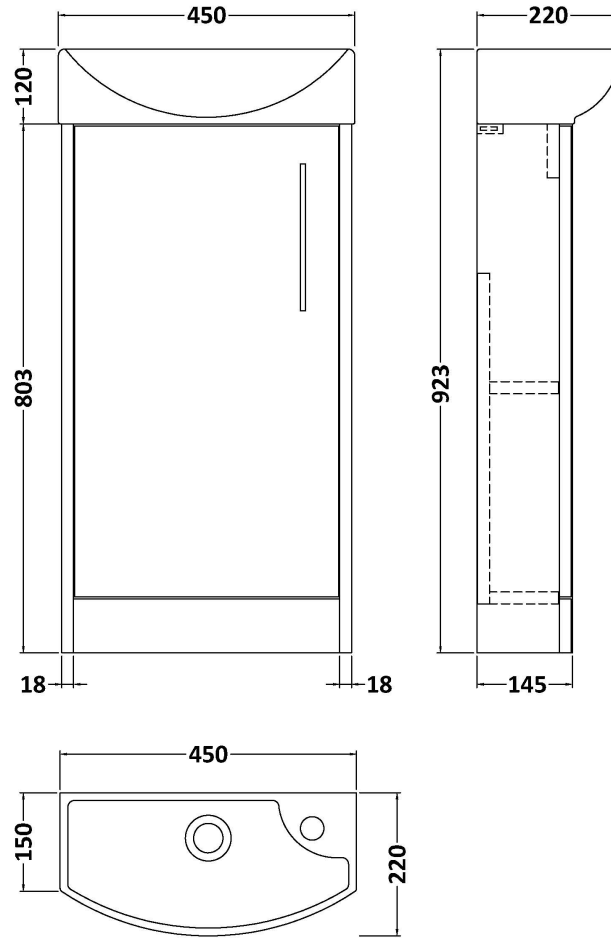


Sales Code: JNU2221L

Description: 440 Fs 1-Door Unit & 1Th Basin Lh

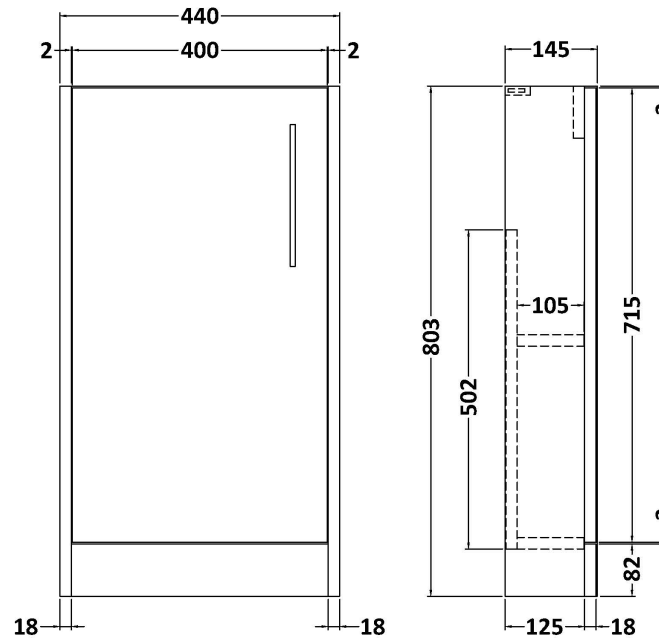


### Packaging Details

Barcode: 5056462674100

Sales Code: MOJ2221

Description: 440 Single Door Floor Standing Unit



### Product Dimensions

Height (mm):	803
Width (mm):	440
Depth (mm):	145
Nett Weight (kg):	11

### Packaging Dimensions

Height (mm):	800
Width (mm):	410
Depth (mm):	235
Gross Weight (kg):	12

### Packaging Data

Box Colour:	Brown Cardboard Box
Box Qty:	1
Label Size:	50 x 100
Label Colour:	White Label
Label Qty:	2

### Outer Box Dimensions (If Applicable)

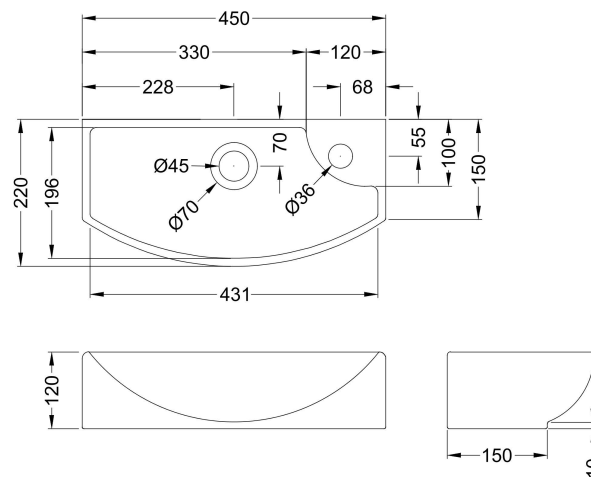
Height (mm):	
Width (mm):	
Depth (mm):	
Gross Weight (kg):	
Barcode:	5056462659596

### Product Details

Country of Origin:	United Kingdom
Fitting Instruction:	No
CE & UKCA:	N/A
FSC Certified Materials:	Yes
Colour:	Graphite Grey Woodgrain
Construction Method:	Cam & Wood Dowel
Construction Type:	Rigid
Cabinet Finish:	MFC Textured Woodgrain
Fascia Finish:	MFC Textured Woodgrain
Cabinet Thickness (mm):	18
Fascia Thickness (mm):	18
Drawer Included:	No
Drawer Type:	Not Applicable
No of Shelves:	1
Hinge Type:	95 Degree Clip-On Soft Close
Hinge Included:	Yes, Supplied
Adjustable Legs:	No, Not Required
Fixings Included:	Yes
Handle Style:	Modern
Waste Shroud:	Not Applicable
Handle Included:	Yes, Supplied
Handle Type:	D-Shape

Sales Code: NBV160

Description: Basin Lh 1Th 450 X 220 X 120



### Product Dimensions

Height (mm):	120
Width (mm):	450
Depth (mm):	220
Nett Weight (kg):	6.3

### Packaging Dimensions

Height (mm):	150
Width (mm):	240
Depth (mm):	475
Gross Weight (kg):	6.8

### Packaging Data

Box Colour:	Brown Cardboard Box
Box Qty:	1
Label Size:	100 x 50
Label Colour:	White Label
Label Qty:	2

### Outer Box Dimensions (If Applicable)

Height (mm):	
Width (mm):	
Depth (mm):	
Gross Weight (kg):	
Barcode:	5055275890592

### Product Details

Country of Origin:	China
Fitting Instruction:	No
Certification: CE & UKCA:	WRAS: WRAS No:
Product Material:	Vitreous China
Fixing Supplied:	Not Applicable

**Pans/Bidets:** Trap Style: Not Applicable Includes Seat: Not Applicable

**Seats:** Seat Type: Not Applicable Material: Not Applicable  
Function: Not Applicable Hinge Type: Not Applicable  
Hinge Material: Not Applicable

**Cisterns:** Operating Type: Not Applicable Fittings: Not Applicable  
Lever Type: Not Applicable

**Basins:** Tap Hole: One Taphole Chain Stay Hole: No  
Template: Not Required Waste Type Req: Unslotted  
Overflow Inc: No Overflow Cover: No  
Inner Bowl Depth (mm): 90mm