

# JU 1/2 E6 C

## JUTE Tap Range Jute Basin Taps Eco6 Chrome

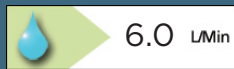


Specification	
Style:	Contemporary
Product Type:	Bathroom taps
Finish/Colour:	Chrome
Main Construction Material:	Brass
Mount Type:	Deck
Handle Type:	Paddle
Connection Inlet:	1/2" BSP
Number of Tap Holes Required:	2
Valve/Cartridge Type:	1/2" Ceramic Disc Valve
Plumbing System Suitability	All
Working Pressure Range:	Min 0.2 bar - Max 5 bar
Maximum Hot Water Temperature: °c	65
Maximum Dynamic Pressure: (bar)	5 bar
Maximum Static Pressure: (bar)	10
Flow Type:	Single Flow
Flow Rate: (l/min @ 3 bar)	33.5
Connection Outlet:	M18 Flow Straightener
Isolation Included:	No

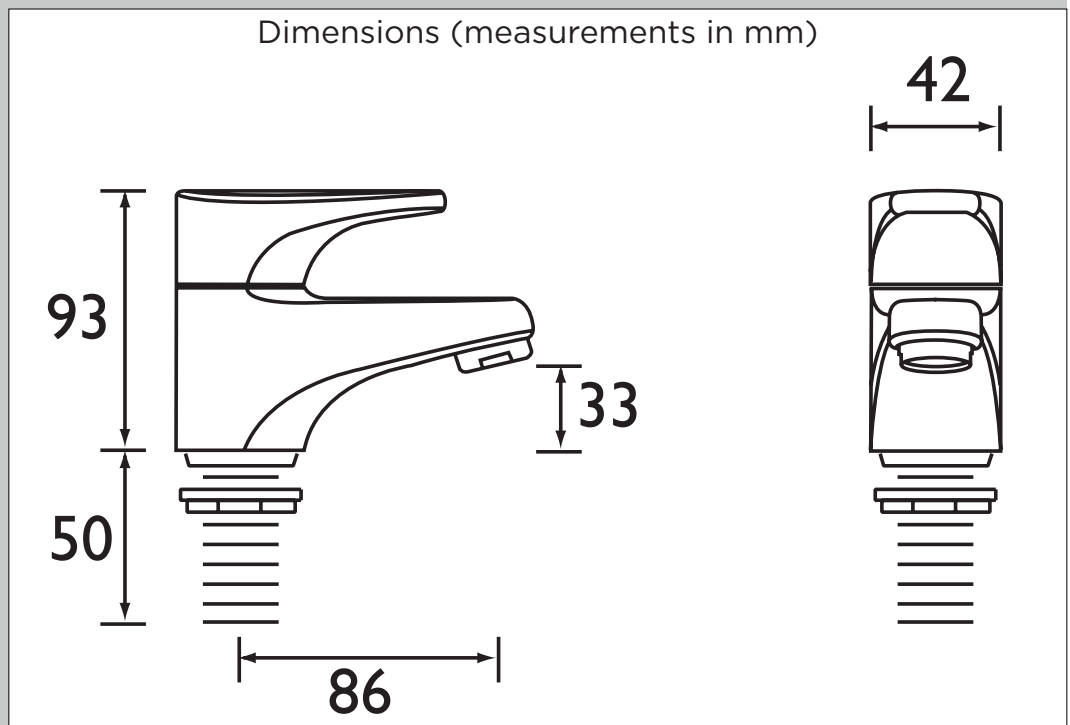
### Features:

- Metal backnuts
- Ceramic disc
- Metal handles
- Chrome plated to BS EN 248

### Product Certifications:



For more products, visit our website:



Flow Rates (l/min)						
System Pressure (bar)	0.2	0.5	1	2	3	5
Without Flow Regulator Fitted	7.9	13.2	19.1	27.3	33.5	43.2
With 6 l/p/m Flow Regulator Fitted	--	--	6.0	6.0	6.0	6.0

TECHNICAL  
DATA  
SHEET



**BRISTAN**  
TAPS & SHOWERS

D2