

# JU BAS C

## JUTE Tap Range Jute Basin Mixer With Pop Up Waste Chrome



### Features:

- Metal fixing nut
- Flexi tails
- Ceramic Cartridge
- Metal handle
- Chrome plated to BS EN 248

### Product Certifications:



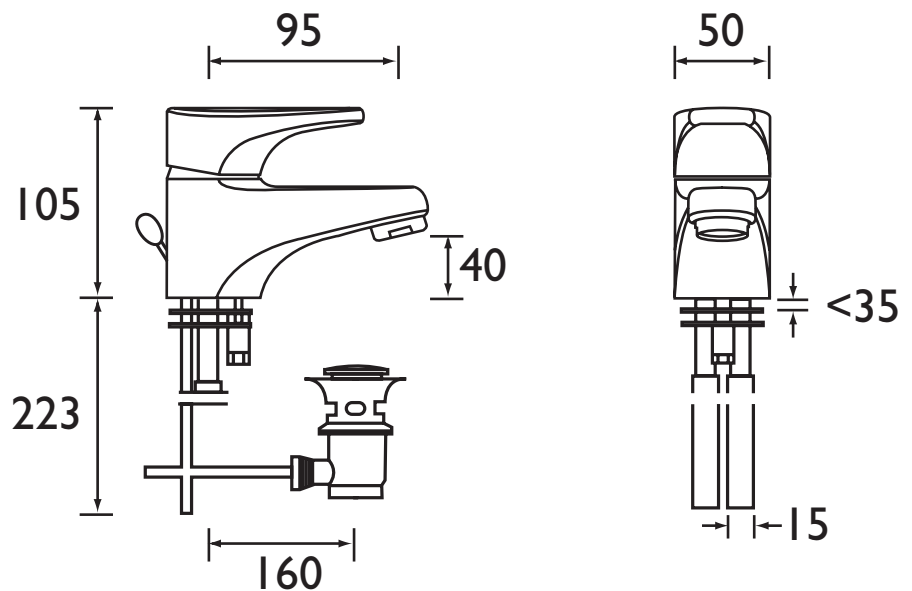
For more products, visit our website:



### Specification

Style:	Contemporary
Product Type:	Bathroom Taps
Finish/Colour:	Chrome
Main Construction Material:	Brass
Mount Type:	Deck Mounted
Handle Type:	Single Lever
Connection Inlet:	M10 x 15mm Flexible Tails
Number of Tap Holes Required:	1
Valve/Cartridge Type:	40mm Ceramic Cartridge
Plumbing System Suitability	All
Working Pressure Range:	Min. 0.2 bar, Max. 5.0 bar
Maximum Hot Water Temperature: °c	65
Maximum Dynamic Pressure: (bar)	5
Maximum Static Pressure: (bar)	10
Flow Type:	Single
Flow Rate: (l/min @ 3 bar)	24
Connection Outlet:	N/A
Isolation Included:	No

### Dimensions (measurements in mm)



### Flow Rates (l/min)

System Pressure (bar)	0.2	0.5	1	2	3	5
JU BAS C	5.7	9.5	13.7	19.6	24	31.2

TECHNICAL  
DATA  
SHEET



**BRISTAN**  
TAPS & SHOWERS

D6