

JU EBAS C

JUTE Tap Range Jute Basin Mixer with Eco Click and Pop-Up Waste Chrome

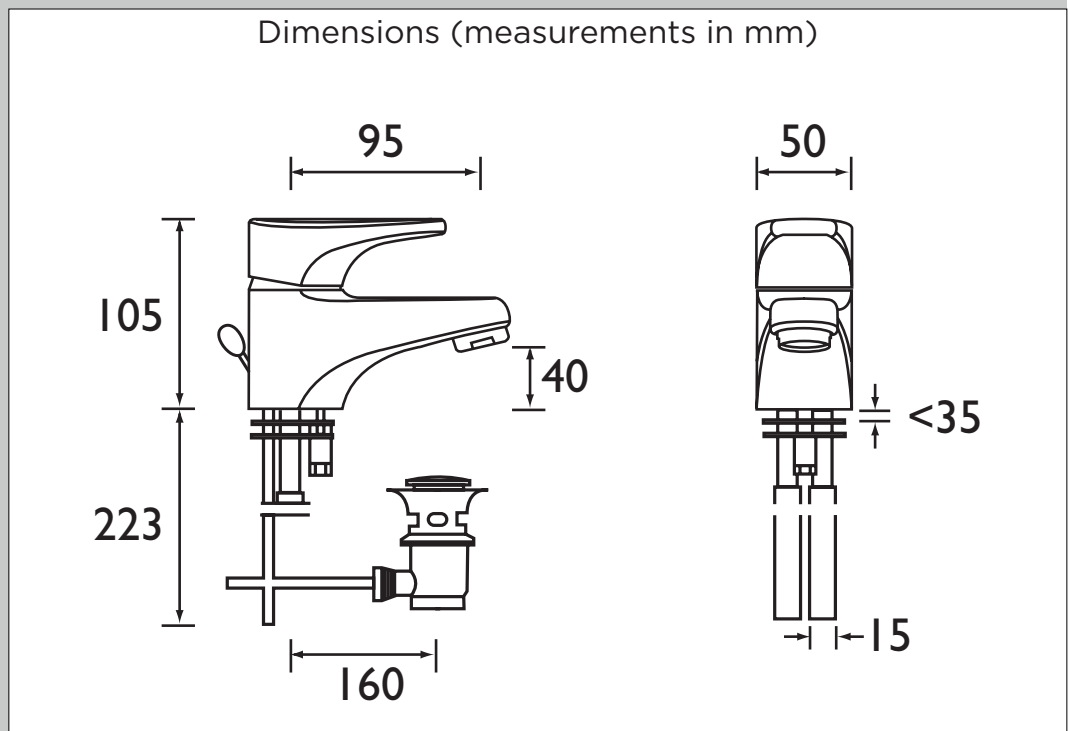


Specification	
Style:	Contemporary
Product Type:	Bathroom Taps
Finish/Colour:	Chrome
Main Construction Material:	Brass
Mount Type:	Deck Mounted
Handle Type:	Single Lever
Connection Inlet:	M10 x 15mm Screw-in Copper Pipes
Number of Tap Holes Required:	1
Valve/Cartridge Type:	40mm Eco-Click Cartridge
Plumbing System Suitability	Ideally Balanced
Working Pressure Range:	Min. 0.2 bar, Max. 5.0 bar
Maximum Hot Water Temperature: °c	65
Maximum Dynamic Pressure: (bar)	5
Maximum Static Pressure: (bar)	10
Flow Type:	Single
Flow Rate: (l/min @ 3 bar)	27.3
Connection Outlet:	N/A
Isolation Included:	No

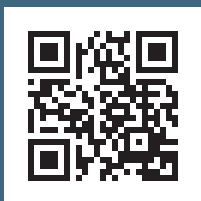
Features:

- Metal fixing nut
- Flexi tails
- Ceramic Cartridge
- Metal handle
- Chrome plated to BS EN 248

Product Certifications:



For more products, visit our website:



Flow Rates (l/min)						
System Pressure (bar)	0.2	0.5	1	2	3	5
JU EBAS C (Full, Mixed)	5.8	9.3	16.5	23.6	27.3	34.1
JU EBAS C (Eco, Mixed)	2.6	4.5	6.4	9.2	11.2	14.5

TECHNICAL
DATA
SHEET



BRISTAN
TAPS & SHOWERS

D6