

K 1/2 C

COLONIAL Tap Range Colonial Basin Taps Chrome



Specification	
Style:	Traditional
Product Type:	Bathroom taps
Finish/Colour:	Chrome
Main Construction Material:	Brass
Mount Type:	Deck
Handle Type:	Cross Head
Connection Inlet:	1/2" BSP
Number of Tap Holes Required:	2
Valve/Cartridge Type:	1/2" compression valve
Plumbing System Suitability	All
Working Pressure Range:	Min 0.2 bar - Max 5 bar
Maximum Hot Water Temperature: °c	65
Maximum Dynamic Pressure: (bar)	5
Maximum Static Pressure: (bar)	10
Flow Type:	Single Flow
Flow Rate: (l/min @ 3 bar)	85.2
Connection Outlet:	Open
Isolation Included:	No

Features:

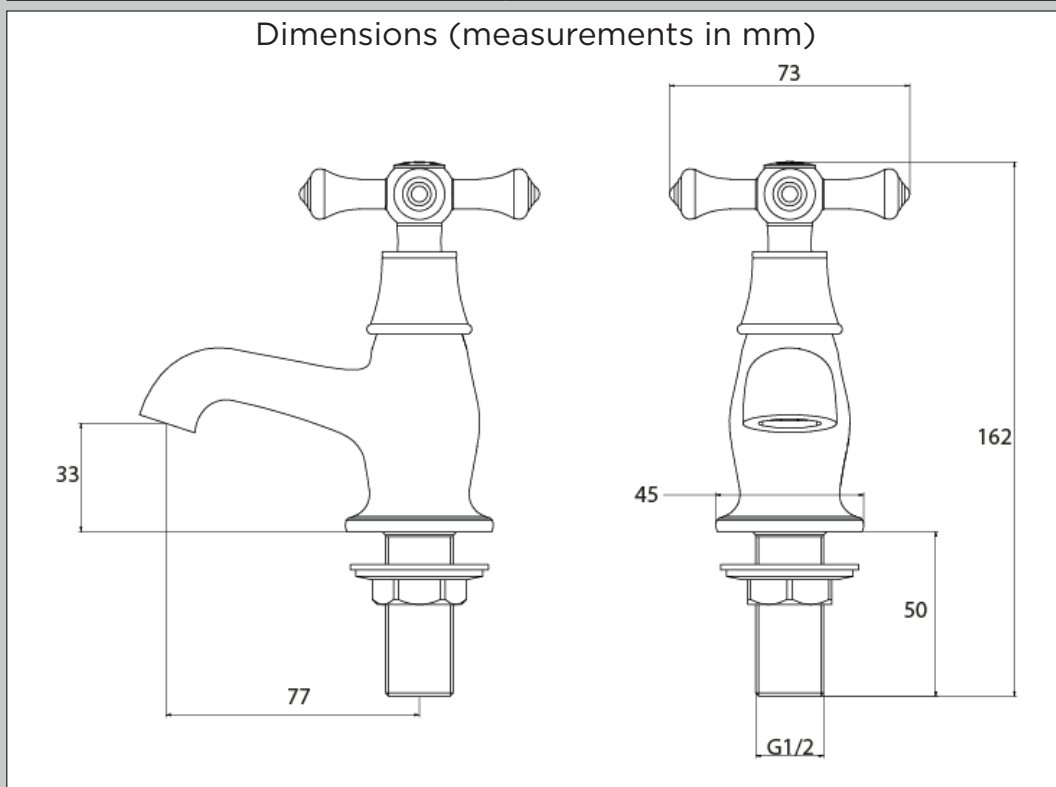
- Metal backnuts
- Supplied with metal heads
- Chrome plated to BS EN 248

Product Certifications:

WRAS Certificate No: 1312908
WRAS Expiry Date: 31/12/2018



For more products, visit our website:



Flow Rates (l/min)						
System Pressure (bar)	0.2	0.5	1	2	3	5
K 1/2 C	21.5	34.8	49.2	69.6	85.2	110

TECHNICAL
DATA
SHEET



BRISTAN
TAPS & SHOWERS

D6