

K 3/4 G

COLONIAL Tap Range Colonial Bath Taps Gold



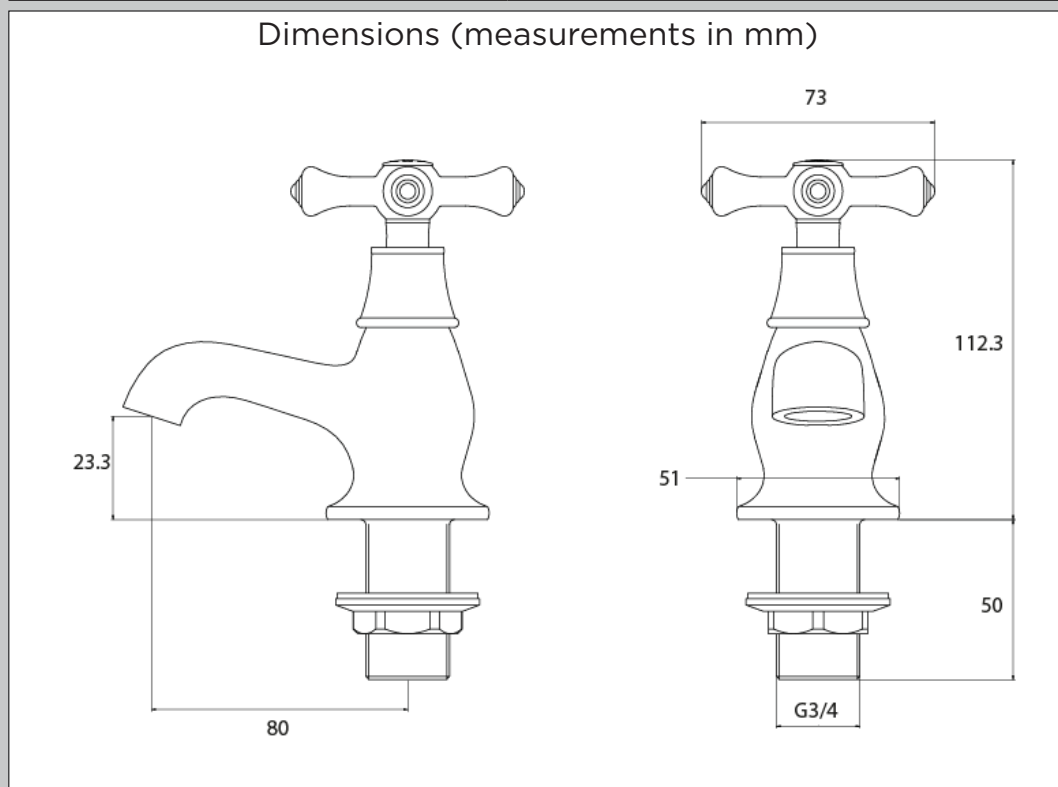
Specification	
Style:	Traditional
Product Type:	Bathroom Taps
Finish/Colour:	Vintage Gold
Main Construction Material:	Brass
Mount Type:	Deck
Handle Type:	Crosshead
Connection Inlet:	3/4" BSP
Number of Tap Holes Required:	2
Valve/Cartridge Type:	1/2" Compression Valves
Plumbing System Suitability	All
Working Pressure Range:	Min. 0.2 Bar, Max. 7.0 Bar
Maximum Hot Water Temperature: °c	65
Maximum Dynamic Pressure: (bar)	7
Maximum Static Pressure: (bar)	10
Flow Type:	Single Flow
Flow Rate: (l/min @ 3 bar)	87.7
Connection Outlet:	
Isolation Included:	No

Features:

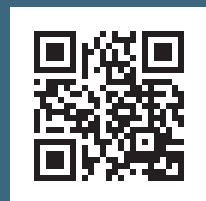
- Metal backnuts
- Supplied with metal heads
- Chrome plated to BS EN 248

Product Certifications:

WRAS Certificate No: 1312909
WRAS Expiry Date: 31/12/2018



For more products, visit our website:



Flow Rates (l/min)						
System Pressure (bar)	0.2	0.5	1	2	3	5
K 3/4 G	22.5	35.8	50.6	71.6	87.8	113.2

TECHNICAL
DATA
SHEET



BRISTAN
TAPS & SHOWERS

D6