



Specification	
Style:	Traditional
Product Type:	Bathroom Taps
Finish/Colour:	Chrome
Main Construction Material:	Brass
Mount Type:	Deck Mounted
Handle Type:	Cross Head
Connection Inlet:	M12 x 15mm Screw-in Copper Pipes
Number of Tap Holes Required:	1
Valve/Cartridge Type:	1/2" Standard Valves
Plumbing System Suitability	All
Working Pressure Range:	Min. 0.2 bar, Max. 5.0 bar
Maximum Hot Water Temperature: °c	65
Maximum Dynamic Pressure: (bar)	5
Maximum Static Pressure: (bar)	10
Flow Type:	Single
Flow Rate: (l/min @ 3 bar)	88.5
Connection Outlet:	N/A
Isolation Included:	No

Features:

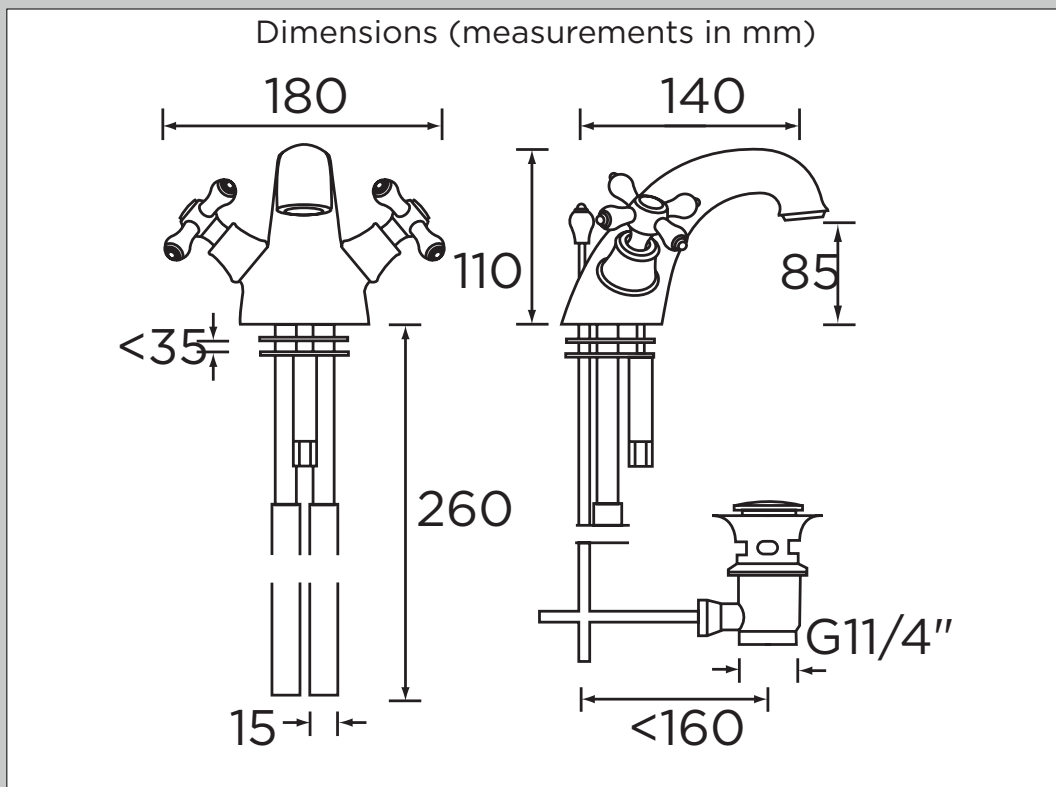
- Metal fixing nut
- Supplied with metal heads
- Supplied with pop-up waste
- Chrome plated to BS EN 248

Product Certifications:

WRAS Certificate Number: 1312910
WRAS Expiry Date: 31/12/2018



For more products, visit our website:



Flow Rates (l/min)						
System Pressure (bar)	0.2	0.5	1	2	3	5
K BAS C (Open Outlet)	20.1	35.2	50.1	72.3	88.5	114.3

TECHNICAL DATA SHEET



BRISTAN

TAPS & SHOWERS