

KEA Bath Filler Installation Instructions



Your product should be fitted in compliance with the Water Authority Regulations. If you are unsure as to what the regulations require, you can contact your Local Water Authority for further details.

Before commencing installation please ensure that you have :-

1. Checked the contents of the box to ensure all parts are present and correct.
2. Read these instructions carefully to understand the installation requirement.
3. Obtained the correct tools to perform a trouble free installation.
4. Considered the surrounding environment where the installation is to take place and any potential hidden dangers.

Taking the above into consideration should result in a smoother, trouble free installation

Product Care

To maintain a high quality finish of your product , you should avoid using any abrasive detergents. Some detergents will aggressively attack the surface over a period of time leading to irreversible damage. Instead, it is advisable to use a soft cloth with warm water . This will significantly prolong the life and looks of the product. If for some reason you need to use a detergent when cleaning , only use a low concentrated brand.

Warranty

Methven warrants this product against manufacturing defects and that it is suitable for use under the general operating conditions specified in this instruction sheet. However, regional regulations apply and may affect your warranty. Please refer to www.methven.com or call customer service for full details.

New Zealand
0800 804 222

Australia
1300 638 483

UK
0800 195 1602

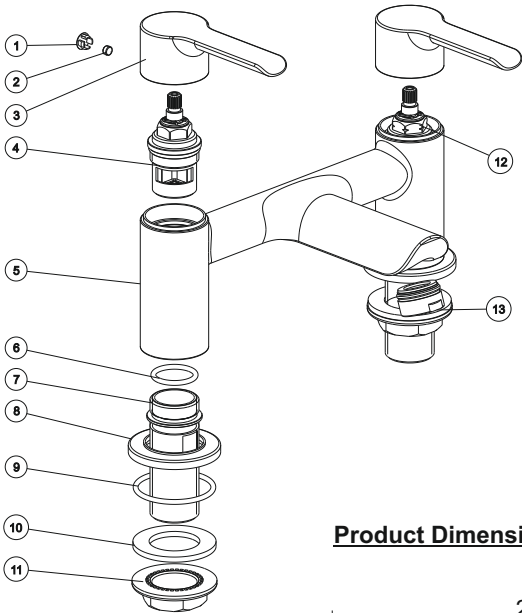
Operating Conditions

Your Bath filler is designed to be used in conjunction with either High or Low water pressure systems. Your product should be fitted in compliance with the Water Authority Regulations. If you are unsure as to what the regulations require, You can contact your Local Water Authority for further details.

Minimum operating pressure = 0.3 bar
 Maximum operating pressure = 5 bar
 Maximum Static Pressure = 10 bar

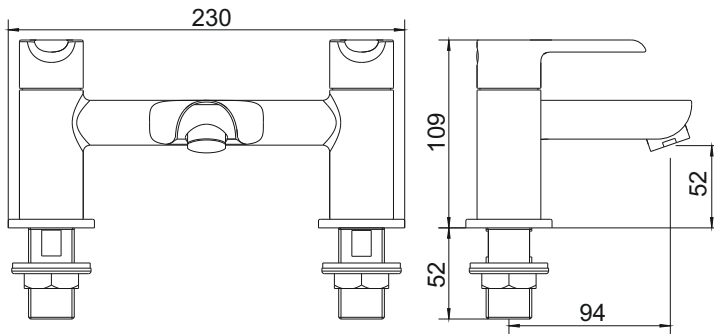
*Note - For pressures over 1.5 bar , flow regulators or a pressure reducing valve is recommended to be used where the flow of water may be way in excess of what you require.

Contents



Part	Code	Description
1	T10060	Cap
2	30100595	Grubscrew
3	B50130-002	Handle
4	E20137	Hot Cartridge
5	B50140-001	Bath Fill Body
6	40000048	Inlet Tail Sealing Washer
7	B50130-004	Inlet Tail
8	B50130-003	Plinth
9	40000082	Plinth Seal
10	B51031-008	Sealing Washer
11	B51031-009	Nut
12	E20136	Cold Cartridge
13	B28070-016	Flow Straightener

Product Dimensions



Important points to note before commencing Installation of your Bath filler. You should have :-

- Checked the contents of the box and all parts are present and correct.
- Checked to ensure the minimum site operating conditions can be met.
- The correct tools to perform a trouble free installation.
- Considered the surrounding environment where the installation is to take place and any potential hidden dangers.
- Isolated both the hot and cold water supplies.

Note : If not already present , you may wish to consider installing isolation valves for ease of future maintenance. Isolation valves can be fitted anywhere prior to connecting the Bath filler to the mains water supply pipes. However , they should always be installed in a safe and convenient place for ease of future access.

Installation

- Ensure that both the Hot and Cold water supplies are isolated.
- Taking the Bath filler place the Plinth seal(s) (9) under the Plinth(s) (8), seat the bath filler onto the bath, whilst still ensuring that the Plinth seal(s) (9) is correctly located under the Plinth(s) (8). **Failure to do this may result in water leakage during use between the base of the bath tap and the bath.**
- Place Sealing washer(s) (10) onto the Inlet tail(s) (7) and then screw Nut(s) (11) onto the Inlet tail(s) (7), but do not fully tighten. Correctly align the bath filler to the desired position on the bath and whilst holding the bath filler, tighten Nut(s) (11) until the bath filler is firmly fixed in the correct position.
- Your bath filler should now be firmly fixed in position.
- Connect the 'Hot' water supply to the 'Hot' inlet tail (7). (This is usually the left inlet tail when viewed from the front) and the 'Cold' water supply to the 'Cold' inlet tail (7)
- Check all joints are tight and the water connections have been made correctly.
- Turn on the 'Cold' water supply.
- Slowly turn on the 'Cold' bath tap as there may be a sudden spurt of water. Then turn the bath tap on and off several times and ensure water flows through the tap outlet and also the tap turns off correctly whilst continuing to check all joints for any leaks.
Please note, it is advisable to check the joints for several minutes to ensure all joints are water tight.
- Turn off the 'Cold' bath tap.
- Turn on the 'Hot' water supply and repeat the above process for the 'Hot' bath tap. **Caution should be taken when working with 'Hot' water to prevent scalding.**
- Now turn on both hot and cold bath taps to ensure a mixed water temperature can be achieved.
- Turn off both hot and cold bath taps. Congratulations you have now successfully installed your new KEA Bath filler.

Maintenance

In the unusual event that your products performance may have deteriorated over a period of time . The bath filler cartridge(s) (4 or 12) may require cleaning. To do so :-

- Ensure that both the Hot and Cold mains supplies are isolated.
- Remove Cap(s) (1) and undo Grubscrew(s) (2). This will allow Handle(s) (3) to be removed. The Tap cartridge(s) (4 or 12) are now exposed.
- Unscrew and remove the Cartridge(s) (4 or 12) from the Bath filler (5). Take note of which side each cartridge was removed from. ie left or right. This is important for correct operation after re-assembly.
- Taking care with the Cartridge(s) (4 or 12), soak the cartridge(s) (4 or 12) in a suitable de-scalant or mild detergent, taking care not to damage the cartridge(s) seals and then gently rinse the Cartridge(s) (4 or 12) clean.
- Ensure there is no debris inside the Bath filler (5), taking care not to damage any sealing faces.
- Refit the Cartridge(s) (4 or 12) to the bath filler body (5) (ensure each cartridge is fitted in the correct side) and tighten. **Please do not over tighten the cartridge into the tap body as it may permanently damage the cartridge.**
- Ensuring the Cartridge(s) (4 or 12) are in the 'Off' position , refit the Tap handle (3), tighten Grubscrew (2) and refit Cap (1).
- Turn on the hot and cold water supplies to the bath filler , check the correct operation of the bath filler and any joints around the bath tap for leaks.
- Turn off the bath filler.