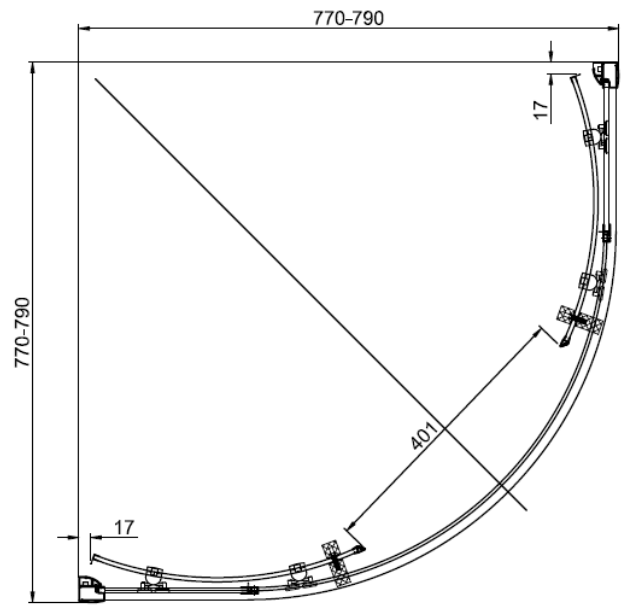
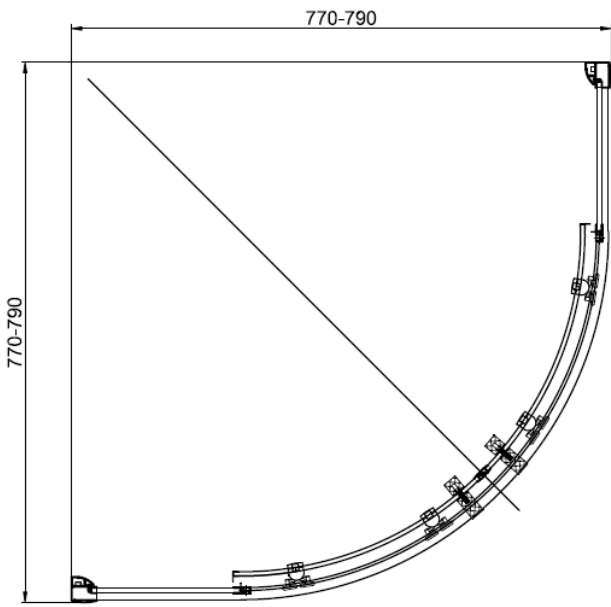


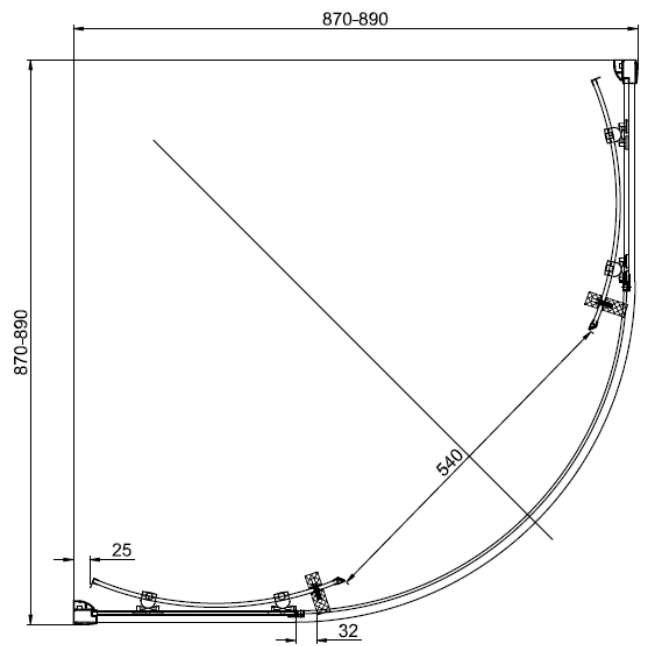
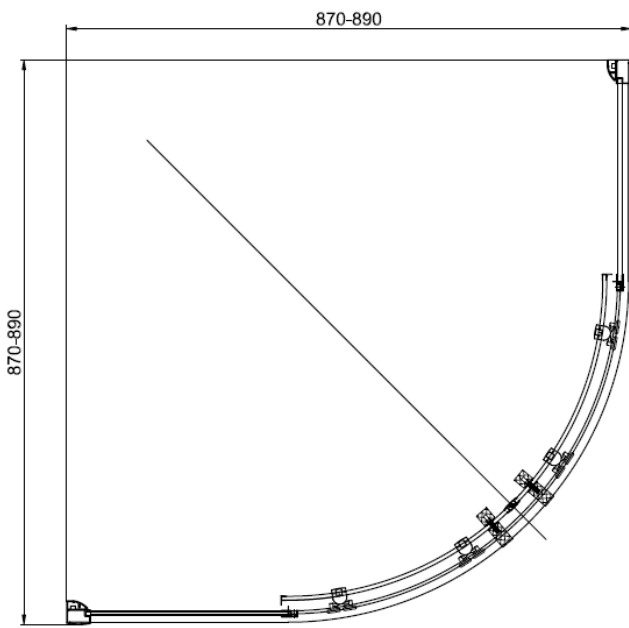


Code	Door Type	Door Height mm	Adjustment in alcove (mm) X	Side adjustment (mm) Y
KLQDS0800	2 Door Quad 800	1900	770-790	770-790
KLQDS0900	2 Door Quad 900	1900	870-890	870-890



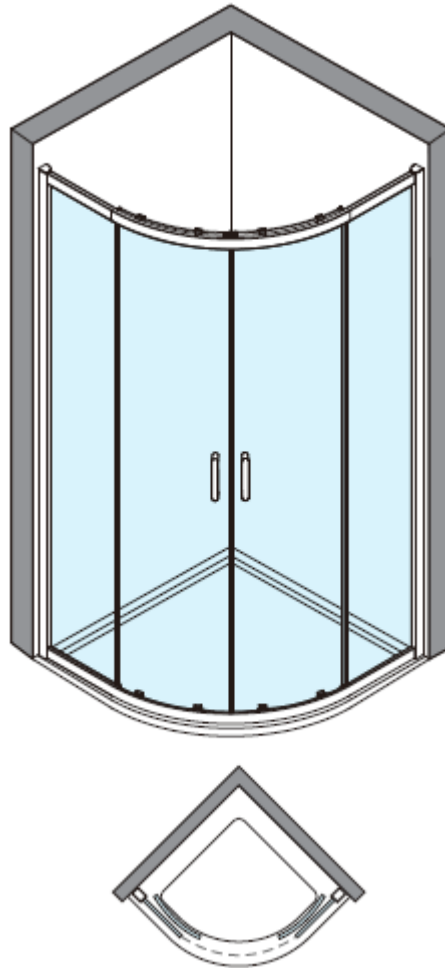
CODE

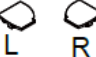






KLQDS0800












CODE

KLQDS0900



A		Cap for wall profile x2
B		Cap for adjusting profile x2
C		Wall plug x8
D		Wall profile x2
E		Cover strip x2
F		ST4*30 x8
G		ST4*8 x6

H		Fixed panel bottom seal x4
I		Top/bottom rail x2
J		Bottom roller x4
K		Handle x2
L		Magnetic seal(SET) x1
M		Top roller x4
N		Fixed glass clip cap x4

O		Long upright seal x2
P		Short upright seal x2