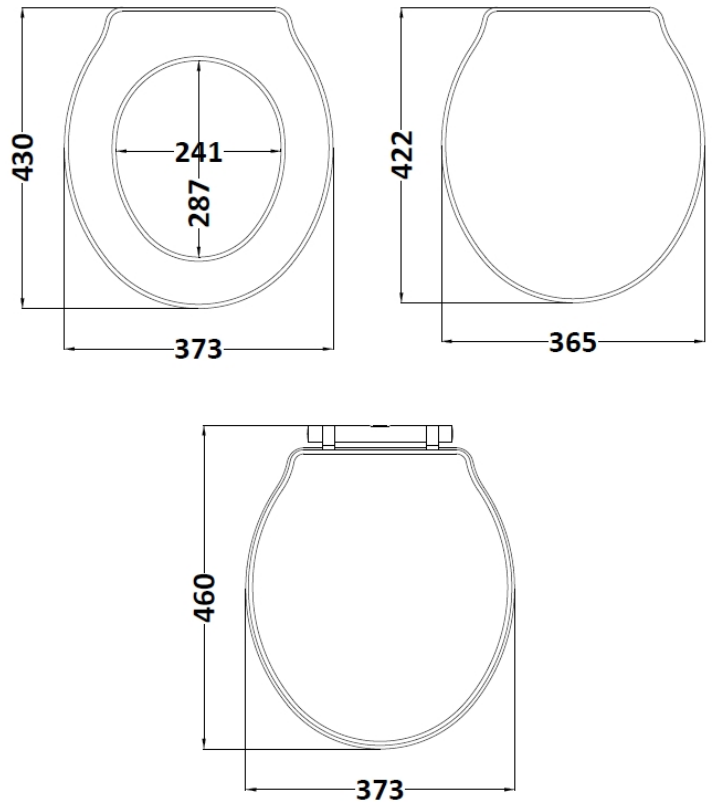
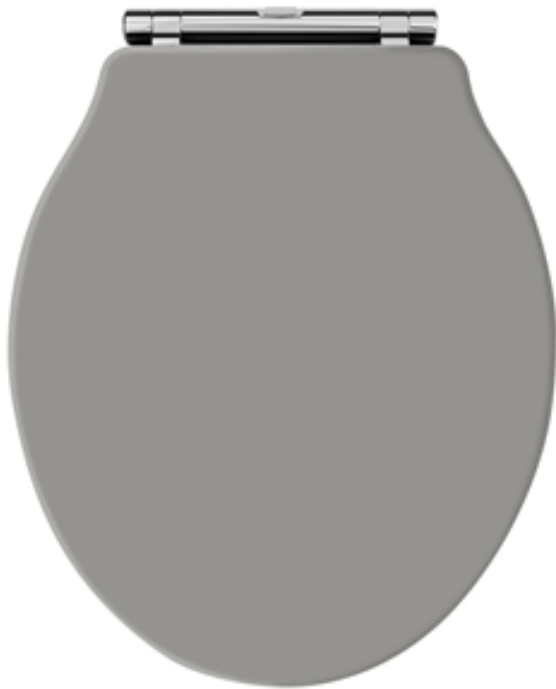


CUSTOMER DATA SHEET - TOILET SEATS

SALES CODE: LOS298

DESCRIPTION: Chancery Toilet Seat



PRODUCT DIMENSIONS

| Length (mm) | Width (mm) | Height (mm) | Nett Wgt Kg |
|-------------|------------|-------------|-------------|
| 460 | 373 | 60 | 2.64 |

PACKAGING DIMENSIONS

| Length (mm) | Width (mm) | Height (mm) | Gross Wgt Kg |
|-------------|------------|-------------|--------------|
| 480 | 380 | 60 | 3.64 |

PACKAGING DATA

| | | | |
|------------|---------------------|--------------|-------------|
| Box Colour | Brown Cardboard Box | | |
| Box Qty | 1 | Label Colour | White Label |
| Label Size | x | Label Qty | 1 |

OUTER BOX DIMENSIONS (If Applicable)

| Length (mm) | Width (mm) | Height (mm) | Gross Wgt Kg |
|-------------|---------------|-------------|--------------|
| | | | |
| Barcode | 5056211818410 | | |

PRODUCT DETAILS

| | |
|---------------------|----------------|
| Country of Origin | United Kingdom |
| Fitting Instruction | Yes |
| Product Material | Mdf Vinyl |
| Seat Type | Round |
| Hinge Centres (Min) | 150 |
| Hinge Centres (Max) | 186 |

| | |
|------------------|------------|
| CE Certification | Yes |
| Colour/Finish | Storm Grey |
| Fixing Method | Top Fix |
| Seat Function | Soft Close |
| Hinge Material | Zinc Alloy |