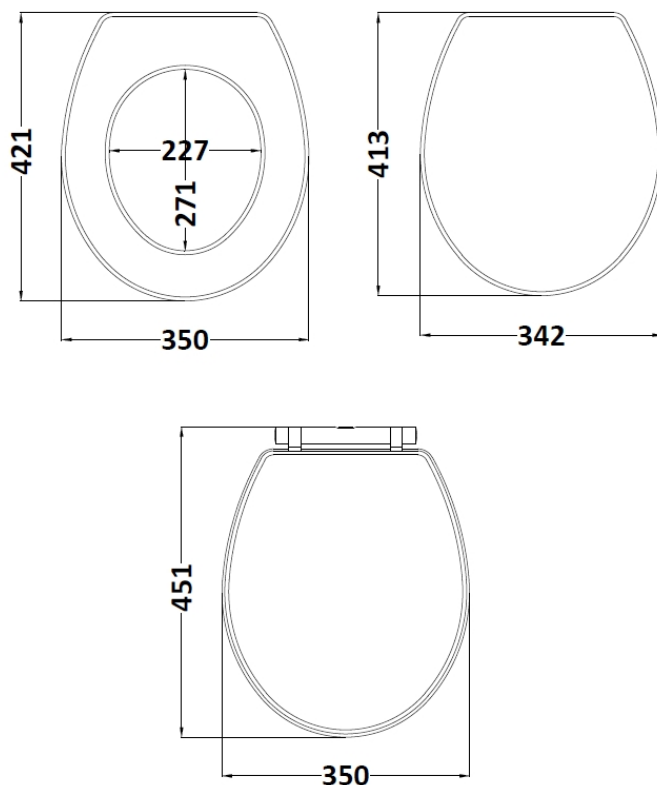


## CUSTOMER DATA SHEET - TOILET SEATS

SALES CODE: LOS499

DESCRIPTION: Richmond Toilet Seat



### PRODUCT DIMENSIONS

Length (mm)	Width (mm)	Height(mm)	Nett Wgt Kg
451	350	60	2.68

### PACKAGING DATA

Box Colour	Brown Cardboard Box		
Box Qty	1	Label Colour	White Label
Label Size	x	Label Qty	1

### PACKAGING DIMENSIONS

Length (mm)	Width (mm)	Height (mm)	Gross Wgt Kg
480	380	60	3.68

### OUTER BOX DIMENSIONS (If Applicable)

Length (mm)	Width (mm)	Height (mm)	Gross Wgt Kg
Barcode	5056211818403		

### PRODUCT DETAILS

Country of Origin	United Kingdom	CE Certification	Yes
Fitting Instruction	Yes	Colour/Finish	Timeless Sand
Product Material	Mdf Vinyl	Fixing Method	Top Fix
Seat Type	Round	Seat Function	Soft Close
Hinge Centres (Min)	150	Hinge Material	Zinc Alloy
Hinge Centres (Max)	186		