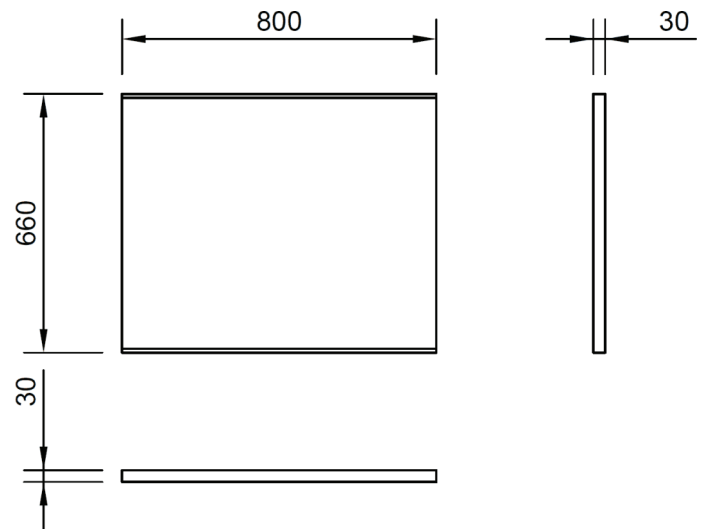


## TECHNICAL DATA SHEET

# LUNA 800MM X 660MM LED MIRROR WITH INFRARED SENSOR

Category:	mirrors	Code:	LU8066DIM
Guarantee:	TBC	Range:	luna
Type:	mirrors and storage	Volume:	0.05
Weight:	9.40		



Dimensions are in millimetres except thread sizes which are BSP imperial.

### Features

- 6500K colour temperature
- IP44 rated
- Safe to use in zones 2 & 3

### Notes

Our guarantee is subject to the product having been installed, used and maintained in accordance with our instructions. Imex furniture is guaranteed for 5 years from date of purchase.

All hinges, which are subject to normal wear and tear, are covered for 36 months from proof of purchase date. Our guarantee applies to the original purchaser and is nontransferable. Our guarantee is only applicable in the UK and ROI. This does not affect your statutory rights.

We reserve the right to change product specifications without prior notification.