

# PRODUCT DATA SHEET



## PRODUCT CODE

MA7000DSGR

## RANGE

Mada

## DESCRIPTION

Mada Basin Unit 700 Sage Green

WEBSITE LINK [Click Here](#)

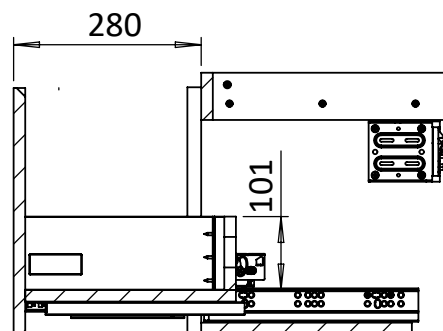
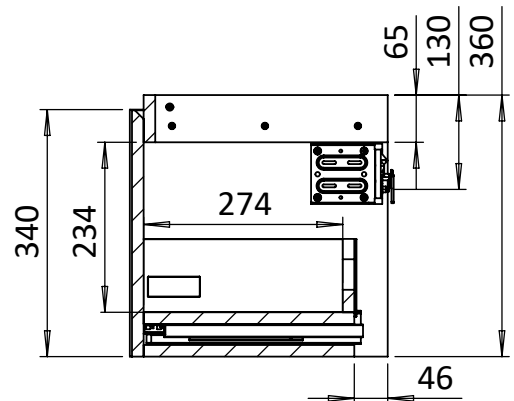
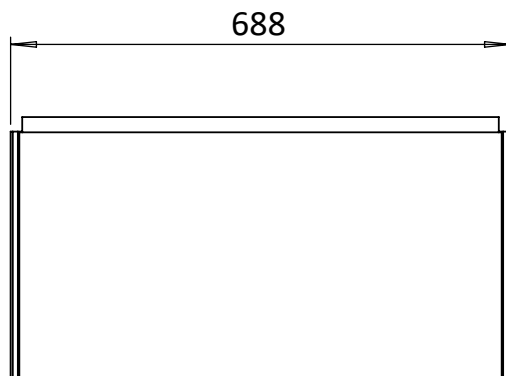
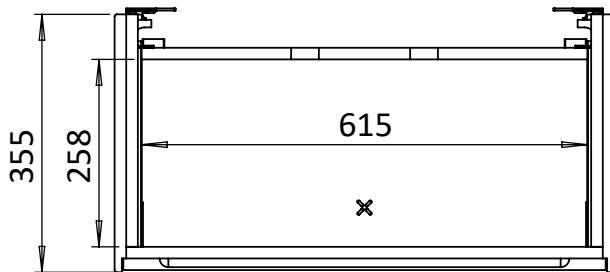
CATEGORY	Furniture
WARRANTY DETAILS	10 Years
COLOUR	Sage Green
FINISH APPLICATION	Lacquered
PRIMARY MATERIAL	MDF
SECONDARY MATERIAL	Steel
INSTALL TYPE	Wall Mounted
PRODUCT WIDTH MM	688
PRODUCT HEIGHT MM	360
PRODUCT DEPTH MM	355
PRODUCT NET WEIGHT KG	16
STANDARDS	EN 14749

COLOUR CODE / REFERENCE	NCS S6005G20Y
DRAWER BOX	Steel
DRAWER RUNNERS	EMUCA - 3170935
DRAWER EXTENSION	Full extension
DRAWER ADJUSTMENT	2
WALL HANGERS	Yes
ADJUSTABLE FEET	No
DRAWER CAPACITY	30 KGS
DRAWER OPERATION	Soft close

## TECHNICAL DIMENSIONS

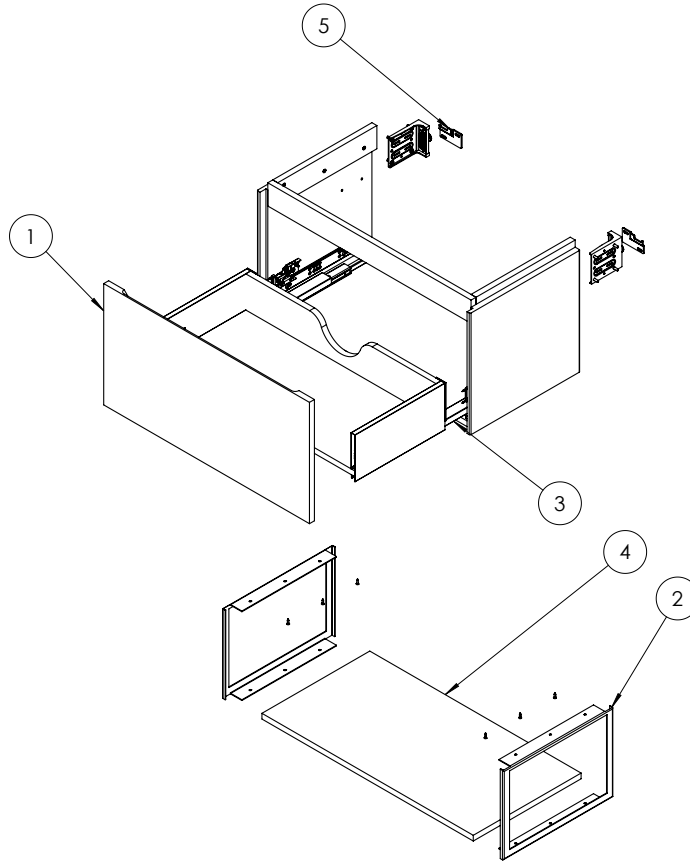
Dimensions in mm unless otherwise specified.

Tolerances (per material type) apply.



## SPARES LIST

Only the parts labelled are available as spares.



NUMBER	PART CODE	DESCRIPTION
1	DF_MA7000DIB	Mada Drawer Front only for MA7000DIB
	DF_MA7000DSC	Mada Drawer Front only for MA7000DSC
	DF_MA7000DSGR	Mada Drawer Front only for MA7000DSGR
	DF_MA7000DWG	Mada Drawer Front only for MA7000DWG
2	FRAMEMADAIB	Mada Leg Metallic X1 all units Colour Indigo Blue
	FRAMEMADASC	Mada Leg Metallic X1 all units Colour Soft Clay
	FRAMEMADASGR	Mada Leg Metallic X1 all units Colour Sage Green
	FRAMEMADAWG	Mada Leg Metallic X1 all units Colour White
3	RUNNERSMADA	Mada set of Drawer Runners x2 All Units
4	SHELFMADA70	Shelf for MA7000
5	WBRACKETSCANVASS	Wall Brackets x2
	IBREPAIR	Deep Indigo Blue Repair Kit
	SGRREPAIR	Sage Green Repair Kit
	WMREPAIR	White Matt Repair Kit
	SCREPAIR	Soft Clay Repair Kit