

# MH SNK EF BGE

## MANHATTAN Tap Range Manhattan Easyfit Mono Sink Mixer Beige



### Features:

- Unique Patented Technology
- Designed with the installer in mind
- Future maintenance made quick and easy
- Flexible Connecting Pipes
- Easy to use metal handles

### Product Certifications:

WRAS Certificate No: 1507950  
WRAS Expiry Date: 30/07/2020



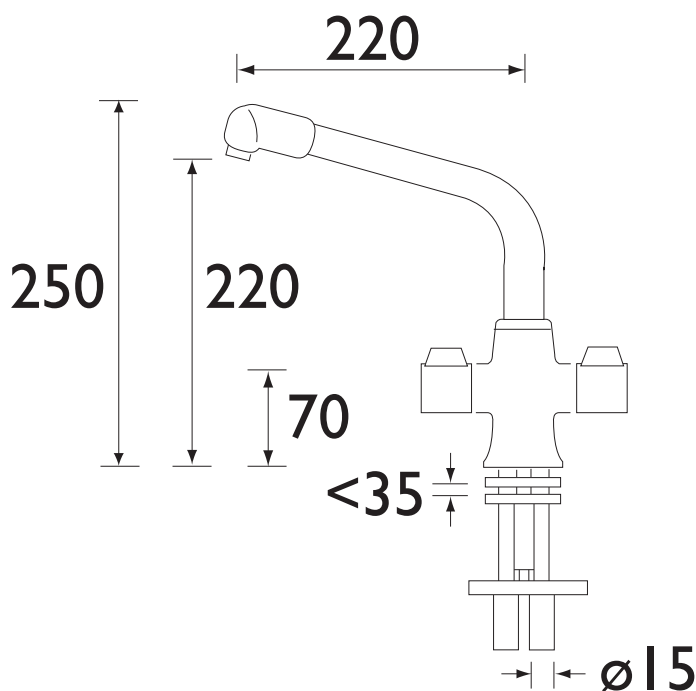
For more products, visit our website:



### Specification

<b>Style:</b>	Contemporary
<b>Product Type:</b>	Kitchen Taps
<b>Finish/Colour:</b>	Beige
<b>Main Construction Material:</b>	Brass
<b>Mount Type:</b>	Deck
<b>Handle Type:</b>	Lever
<b>Connection Inlet:</b>	1/2" BSP Flexible Tails
<b>Number of Tap Holes Required:</b>	1
<b>Valve/Cartridge Type:</b>	1/2" Ceramic Disc Valves
<b>Plumbing System Suitability</b>	All - Ideally balanced
<b>Working Pressure Range:</b>	Min 0.5 Bar, Max 5.0 Bar
<b>Maximum Hot Water Temperature: °c</b>	65
<b>Maximum Dynamic Pressure: (bar)</b>	5
<b>Maximum Static Pressure: (bar)</b>	10
<b>Flow Type:</b>	Single Flow
<b>Flow Rate: (l/min @ 3 bar)</b>	33.6
<b>Connection Outlet:</b>	
<b>Isolation Included:</b>	Yes

### Dimensions (measurements in mm)



### Flow Rates (l/min)

System Pressure (bar)	0.5	1	2	3	4	5
<b>MH SNK EF BGE</b>	12.6	18.8	27.2	33.6	38.8	43.4

**TECHNICAL  
DATA  
SHEET**



**BRISTAN**  
TAPS & SHOWERS

D3