

MH SNK EF WHT

MANHATTAN Tap Range Manhattan Easyfit Mono Sink Mixer White



Features:

- Unique patented technology
- Designed with the installer in mind
- Future maintenance made quick and easy
- Flexible Connecting Pipes
- Easy to use metal handles

Product Certifications:

WRAS Certificate No: 1507950
WRAS Expiry Date: 30/07/2020



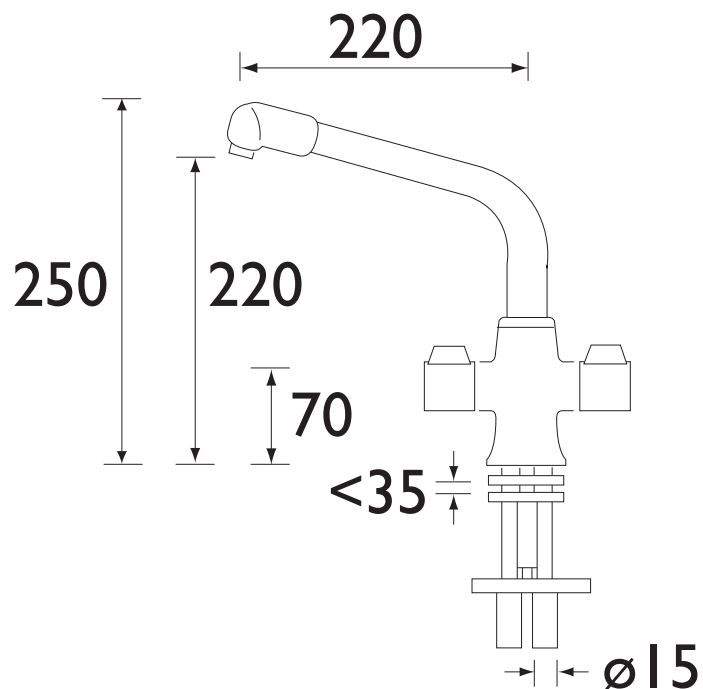
For more products, visit our website:



Specification

Style:	Contemporary
Product Type:	Kitchen Taps
Finish/Colour:	White
Main Construction Material:	Brass
Mount Type:	Deck
Handle Type:	Lever
Connection Inlet:	1/2" BSP Flexible Tails
Number of Tap Holes Required:	1
Valve/Cartridge Type:	1/2" Ceramic Disc Valves
Plumbing System Suitability	All - Ideally balanced
Working Pressure Range:	Min 0.5 Bar, Max 5.0 Bar
Maximum Hot Water Temperature: °c	65
Maximum Dynamic Pressure: (bar)	5
Maximum Static Pressure: (bar)	10
Flow Type:	Single Flow
Flow Rate: (l/min @ 3 bar)	33.6
Connection Outlet:	
Isolation Included:	Yes

Dimensions (measurements in mm)



Flow Rates (l/min)

System Pressure (bar)	0.5	1	2	3	4	5
MH SNK EF WHT	12.6	18.8	27.2	33.6	38.8	43.4

**TECHNICAL
DATA
SHEET**



BRISTAN
TAPS & SHOWERS

D3