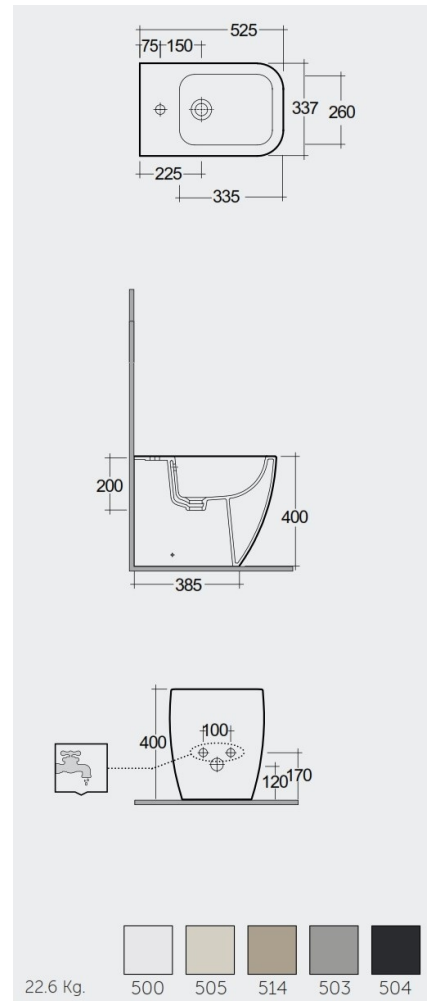


RAK-FEELING - MP18514A - MATT CAPPUCINNO

Bidets | Back To Wall

RAK
CERAMICS



TECHNICAL SPECIFICATIONS

Suite:	RAK-FEELING WC'S & BIDETS
Type:	Back To Wall
Dimensions:	525 x 337 mm
Weight:	22.6 Kg
Color:	MATT CAPPUCINO - 514

Code	Name
MP18514A	BACK TO WALL BIDET 52 CM - MATT CAPPUCINNO

Dimensions: All dimensions in mm. Tolerance of vitreous china & fireclay items: $\pm 5\%$ for below 200mm and $\pm 3\%$ for above 200mm; for all other items tolerance $\pm 1\%$. Note: Due to a continuing development program to improve design and performance, the manufacturer reserves all rights to vary specifications without prior information. Please note accessories are for photographic use only.