

N 3/4 C CD

1901 Tap Range 1901 Bath Taps with Ceramic Disc Valves Chrome



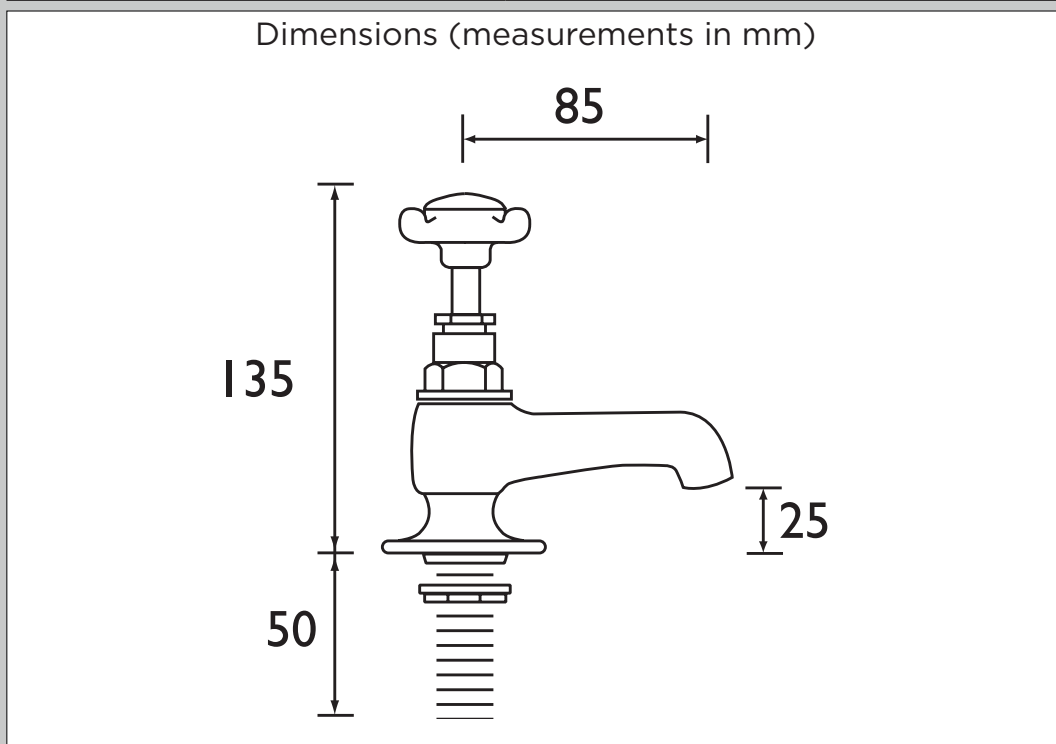
Specification	
Style:	Traditional
Product Type:	Bathroom Taps
Finish/Colour:	Chrome
Main Construction Material:	Brass
Mount Type:	Deck
Handle Type:	Crosshead
Connection Inlet:	3/4" BSP
Number of Tap Holes Required:	2
Valve/Cartridge Type:	3/4" Ceramic Disc Valves
Plumbing System Suitability	All
Working Pressure Range:	Min. 0.2 Bar, Max. 8.0 Bar
Maximum Hot Water Temperature: °c	65
Maximum Dynamic Pressure: (bar)	8
Maximum Static Pressure: (bar)	10
Flow Type:	Single Flow
Flow Rate: (l/min @ 3 bar)	49.2
Connection Outlet:	
Isolation Included:	No

Features:

- Metal heads
- Ceramic Discs
- Chrome plated to BS EN 248

Product Certifications:

For more products, visit our website:



Flow Rates (l/min)						
System Pressure (bar)	0.2	0.5	1	2	3	5
N 3/4 C CD (Hot)	12.3	19.5	27.6	39	47.8	61.7
N 3/4 C CD (Cold)	15.5	20.1	28.4	40.2	49.2	63.6

TECHNICAL
DATA
SHEET



BRISTAN
TAPS & SHOWERS

D3