

N 3HBAS G CD

1901 Tap Range 1901 3 Hole Basin Mixer with Ceramic Disc Valves Gold



Specification	
Style:	Traditional
Product Type:	Bathroom Taps
Finish/Colour:	Vintage Gold
Main Construction Material:	Brass
Mount Type:	Deck Mounted
Handle Type:	Crosshead
Connection Inlet:	1/2 x 1/2 x300mm Flexi Tails
Number of Tap Holes Required:	3
Valve/Cartridge Type:	1/4 Turn 1/2" Ceramic Disc Valves
Plumbing System Suitability	All
Working Pressure Range:	Min. 0.2, Max. 5.0
Maximum Hot Water Temperature: °c	65
Maximum Dynamic Pressure: (bar)	5
Maximum Static Pressure: (bar)	10
Flow Type:	Single
Flow Rate: (l/min @ 3 bar)	38.5
Connection Outlet:	N/A
Isolation Included:	No

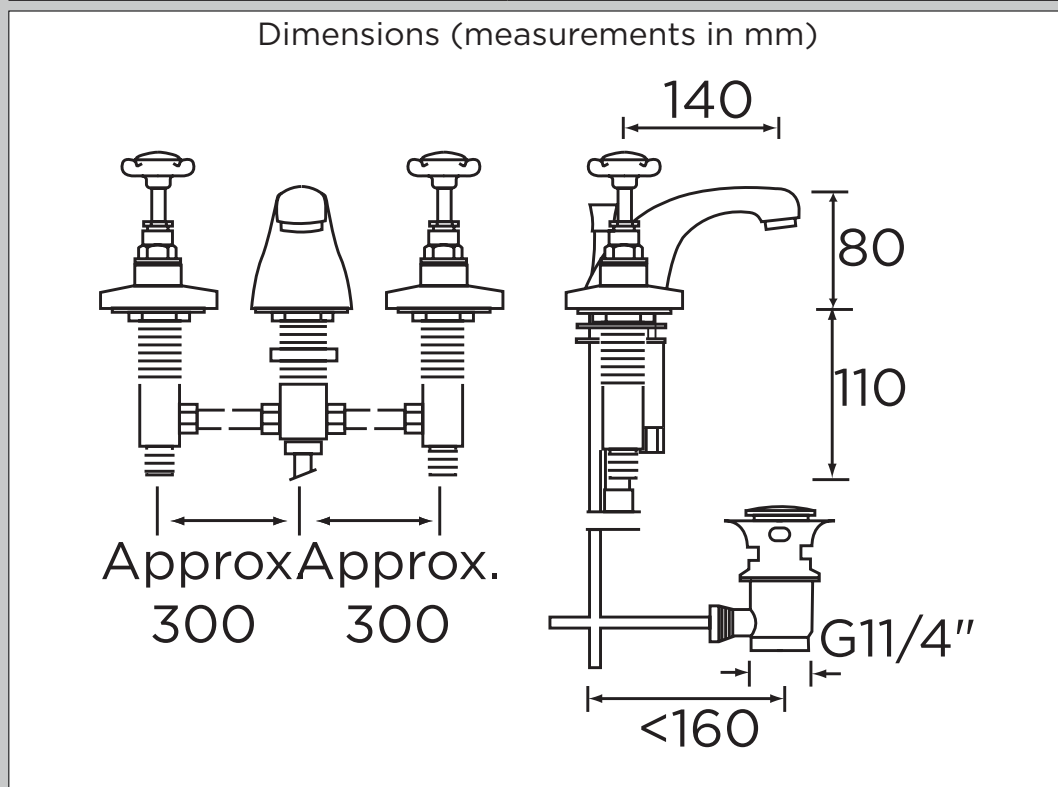
Features:

- Metal heads
- Ceramic Discs
- Pop-up waste

Product Certifications:



For more products, visit our website:



Flow Rates (l/min)						
System Pressure (bar)	0.2	0.5	1	2	3	5
N 3HBAS G CD	10.1	15.2	22.2	31.5	38.5	49.7

TECHNICAL
DATA
SHEET



BRISTAN
TAPS & SHOWERS

D3