

N BAS G CD

1901 Tap Range 1901 Basin Mixer with Ceramic Disc Valves Gold



Features:

- Metal heads
- Ceramic Discs
- Pop-up waste
- Chrome plated to BS EN 248

Product Certifications:



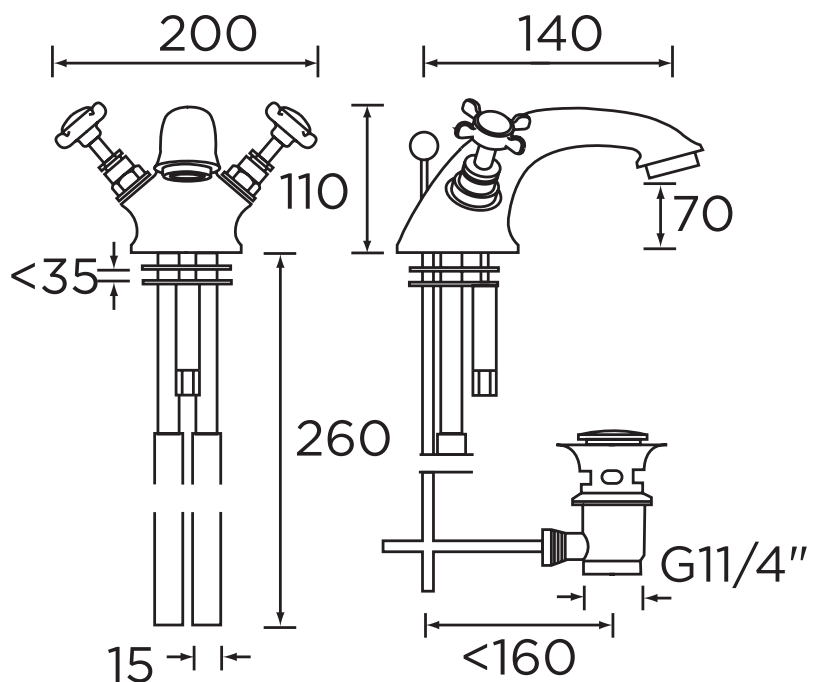
For more products, visit our website:



Specification

Style:	Traditional
Product Type:	Bathroom Taps
Finish/Colour:	Vintage Gold
Main Construction Material:	Brass
Mount Type:	Deck Mounted
Handle Type:	Crosshead
Connection Inlet:	15mm Screw-in Copper Pipes
Number of Tap Holes Required:	1
Valve/Cartridge Type:	1/4 Turn 1/2" Ceramic Disc Valves
Plumbing System Suitability	All
Working Pressure Range:	Min. 0.2, Max. 5.0
Maximum Hot Water Temperature: °c	65
Maximum Dynamic Pressure: (bar)	5
Maximum Static Pressure: (bar)	10
Flow Type:	Single
Flow Rate: (l/min @ 3 bar)	63.93
Connection Outlet:	N/A
Isolation Included:	No

Dimensions (measurements in mm)



Flow Rates (l/min)

System Pressure (bar)	0.2	0.5	1	2	3	5
N BAS G CD (Open Outlet)	15.67	26.1	36.91	52.2	63.9	82.5

TECHNICAL
DATA
SHEET



BRISTAN
TAPS & SHOWERS

D2