

TECHNICAL DATA SHEET



1901

Bidet Mixer with Pop-Up Waste

Product Specification

Product Codes & Finishes: N BID C CD (Chrome)
 N BID G CD (Vintage Gold)

Product Type: Traditional

Construction: Body is of Brass Constructi

Valve Type: ¼ turn ½" Ceramic Disc Val

Supply: Suitable for all plumbing systems,

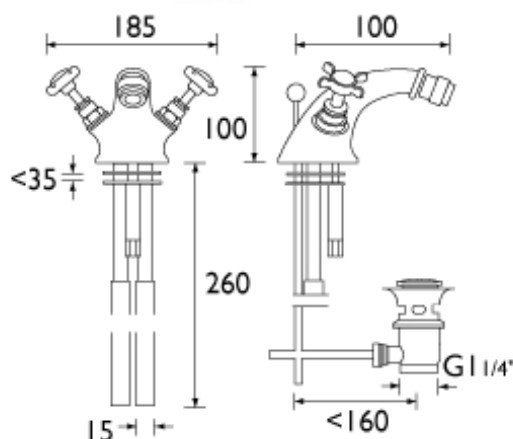
Inlet Connections: M12 x 15mm Screw-in Copper Pipes

Water Pressure: Min 0.2 bar, Max. 8.0 bar



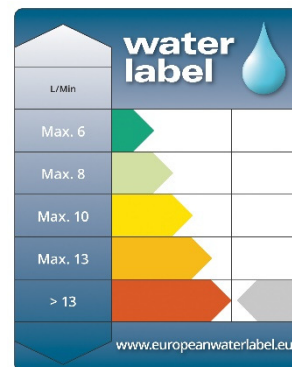
Additional Information

- Supplied with metal heads and backnuts
- Includes Pop-Up Waste
- Chrome plated to BS EN 248



Flow Rates (litres per minute)

System Pressure	0.2bar	0.5bar	1.0bar	2.0bar	3.0bar	5.0bar
Open Outlet	9.5	15	21.2	30	36.8	47.5



Technical Advice: For further information please call 0844 7016273

or email customercare@bristan.com

Guarantee: 5 years covering manufacturing faults.

Bristan, Birch Coppice Business Park, Dordon, Tamworth, B78 1SG
 Telephone: 0844 701 6274 Facsimile: 0844 701 6275
 Web Site: www.bristan.com Email: enquire@bristan.com



The information contained on this page was correct at date of issue. Fitting dimensions are provided as a guide only. Some variation may occur due to manufacturing tolerances. Bristan pursues a policy of continuing improvement in design and performance of its products and so reserves the right to change specifications without prior notice.