



Features:

- Dual Flow

Product Certifications:



For more products, visit our website:



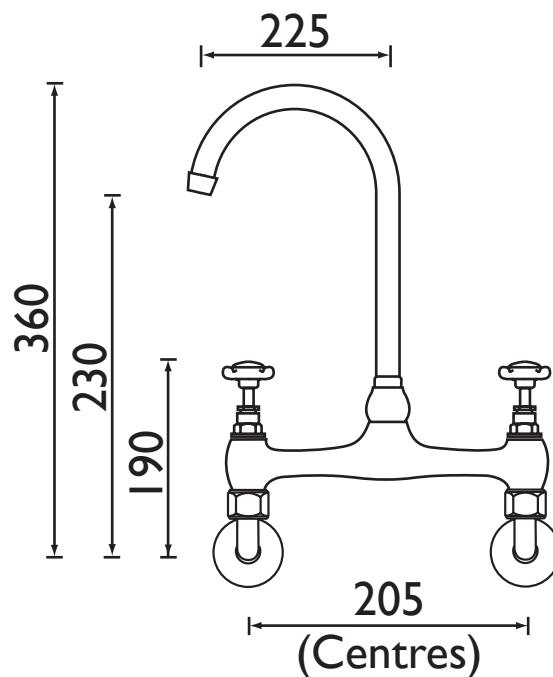
TECHNICAL
DATA
SHEET



Specification

Style:	Traditional
Product Type:	Kitchen Taps
Finish/Colour:	Chrome
Main Construction Material:	Brass
Mount Type:	Wall Mounted
Handle Type:	Crosshead
Connection Inlet:	1/2" BSP
Number of Tap Holes Required:	2
Valve/Cartridge Type:	1/2" Ceramic Disc Valves
Plumbing System Suitability	All
Working Pressure Range:	Min 0.2 Bar, Max 5.0 Bar
Maximum Hot Water Temperature: °c	65
Maximum Dynamic Pressure: (bar)	5
Maximum Static Pressure: (bar)	10
Flow Type:	Dual Flow
Flow Rate: (l/min @ 3 bar)	48.6
Connection Outlet:	
Isolation Included:	No

Dimensions (measurements in mm)



Flow Rates (l/min)

System Pressure (bar)	0.2	0.5	1	2	3	5
N WMDSM C	12.1	19.5	27.8	40.1	48.6	56.2