

TECHNICAL DATA SHEET

1901

Exposed Concentric Top Outlet Shower Valve Only

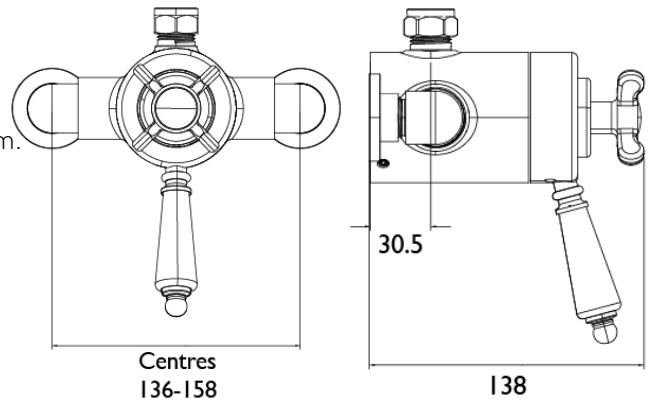
Product Specification

Product Codes & Finishes:	N2 CSHXTVO C (Chrome) N2 CSHXTVO G (Vintage Gold)
Connection Inlet:	15mm Compression
Maximum Temperature:	Pre-set 42oC
Pressure Range:	Min 0.1 Bar, Max 5.0 Bar
Dimensions for Fitting:	136mm – 158mm Adjustable inlet centres



Additional Information

- Chrome plated to BS EN 248:2002
- Supplied with 2x 8 litres per minute flow regulators
- Adjustable inlet centres mean you can use existing pipework with centres measuring anything between 136mm and 158mm.
- Factory fitted regulators means this is a water saving shower
- Matching taps available

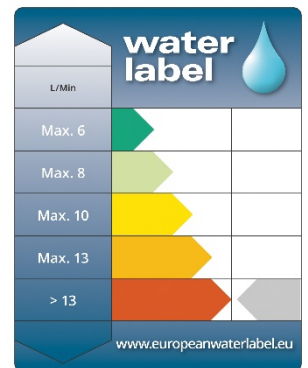


Flow Rates (litres per minute)

System Pressure	0.1bar	0.2bar	0.5bar	1bar	2bar	3bar	5bar
With Flow Regulators	---	---	3.6	5.08	7.19	8.8	8.8
Without Flow Regulators	2.65	3.74	5.92	8.37	11.84	14.5	18.72

Technical Advice: For further information please call 0844 7016273 or email customer@bristan.com

Guarantee: 5 years covering manufacturing faults.



Bristan, Birch Coppice Business Park, Dordon, Tamworth, B78 1SG
Telephone: 0844 701 6274 Facsimile: 0844 701 6275
Web Site: www.bristan.com Email: enquire@bristan.com



Guarantee

Delivery

0844 7016273

D2

The information contained on this page was correct at date of issue. Fitting dimensions are provided as a guide only. Some variation may occur due to manufacturing tolerances. Bristan pursues a policy of continuing improvement in design and performance of its products and so reserves the right to change specifications without prior notice.