

# TECHNICAL DATA SHEET



1901

Exposed Concentric Chrome Shower Valve Only

## Product Specification

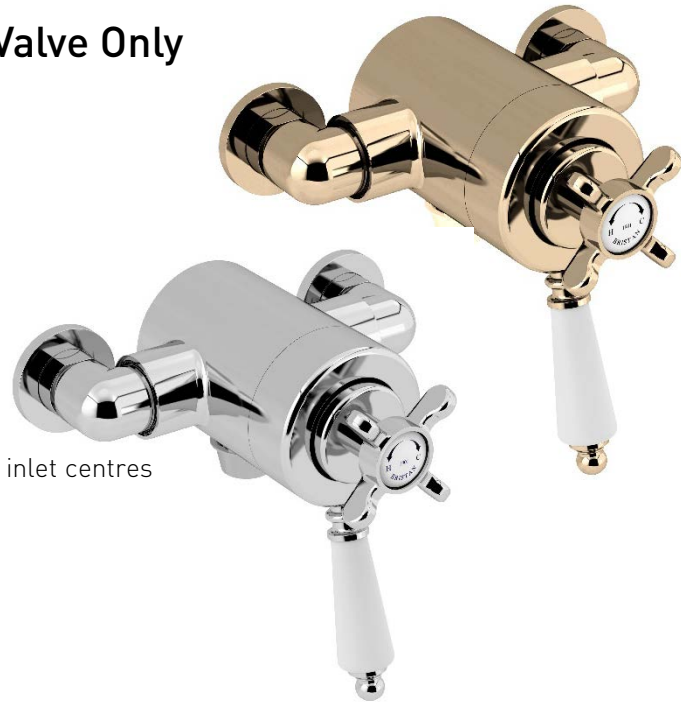
Product Codes & Finishes: N2 CSHXVO C (Chrome)  
 N2 CSHXVO G (Vintage Gold)

Connection Inlet: 15mm Compression

Maximum Temperature: Pre-set 42oC

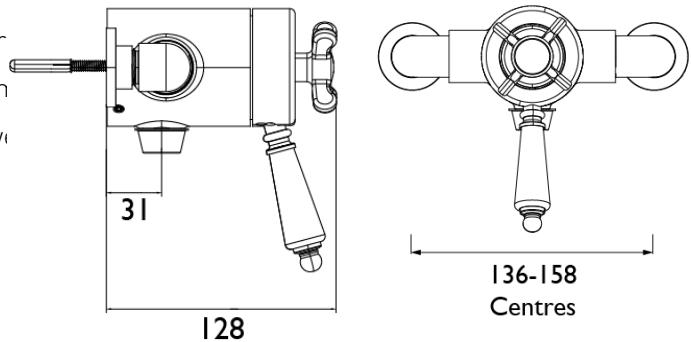
Pressure Range: Min 0.1 Bar, Max 5.0 Bar

Dimensions for Fittings: 136mm – 158mm adjustable inlet centres



## Additional Information

- Chrome plated to BS EN 248:2002
- Supplied with 2x 8 litres per minute flow regulators
- Adjustable inlet centres mean you can use existing pipework with centres measuring anything between 136mm and 158mm
- Factory fitted regulators means this is a water saving shower
- Matching taps available

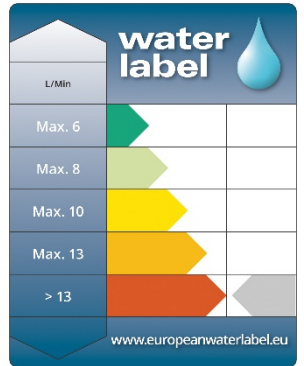


## Flow Rates (litres per minute)

System Pressure	0.1bar	0.2bar	0.5bar	1bar	2bar	3bar	5bar
With Flow Regulators	---	---	3.6	5.08	7.19	8.8	8.8
Without Flow Regulators	2.65	3.74	5.92	8.37	11.84	14.5	18.72

**Technical Advice:** For further information please call 0844 7016273 or email [customer@bristan.com](mailto:customer@bristan.com)

**Guarantee:** 5 years covering manufacturing faults.



Bristan, Birch Coppice Business Park, Dordon, Tamworth, B78 1SG  
 Telephone: 0844 701 6274 Facsimile: 0844 701 6275  
 Web Site: [www.bristan.com](http://www.bristan.com) Email: [enquire@bristan.com](mailto:enquire@bristan.com)



The information contained on this page was correct at date of issue. Fitting dimensions are provided as a guide only. Some variation may occur due to manufacturing tolerances. Bristan pursues a policy of continuing improvement in design and performance of its products and so reserves the right to change specifications without prior notice.