

# NR 1/2 C

# NERO Tap Range

## Nero Basin Taps Chrome



Specification	
Style:	Contemporary
Product Type:	Bathroom taps
Finish/Colour:	Chrome
Main Construction Material:	Brass
Mount Type:	Deck
Handle Type:	Paddle
Connection Inlet:	1/2" BSP
Number of Tap Holes Required:	2
Valve/Cartridge Type:	1/2" Ceramic Disc Valve
Plumbing System Suitability	All
Working Pressure Range:	Min 0.2 bar - Max 5 bar
Maximum Hot Water Temperature: °c	65
Maximum Dynamic Pressure: (bar)	5
Maximum Static Pressure: (bar)	10
Flow Type:	Single Flow
Flow Rate: (l/min @ 3 bar)	30.9
Connection Outlet:	open
Isolation Included:	No

### Features:

- Brass construction
- Ceramic disc valve for smooth flow control
- Easy-to-use lever handles
- Metal back nuts for added durability

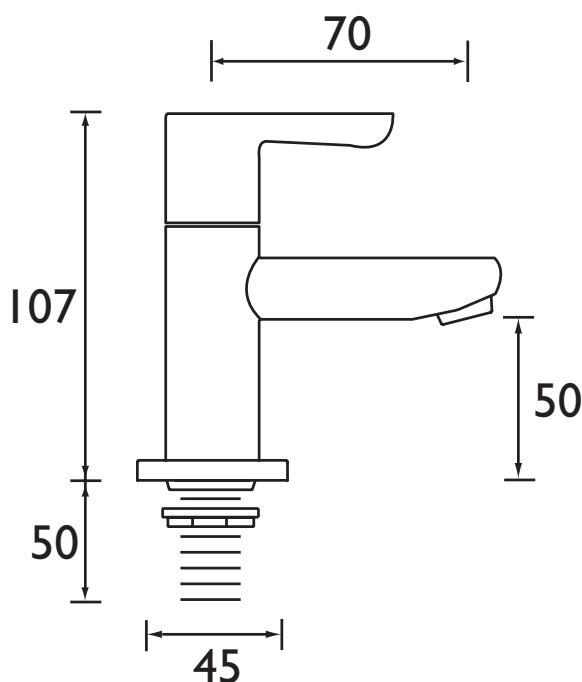
### Product Certifications:



For more products, visit our website:



### Dimensions (measurements in mm)



### Flow Rates (l/min)

System Pressure (bar)	0.2	0.5	1	2	3	5
NR 1/2 C	7.3	12.3	17.6	25.1	30.9	39.9

## TECHNICAL DATA SHEET



# BRISTAN

TAPS & SHOWERS

D4