

NR BASNW C

NERO Tap Range Nero Basin Mixer Without Waste Chrome

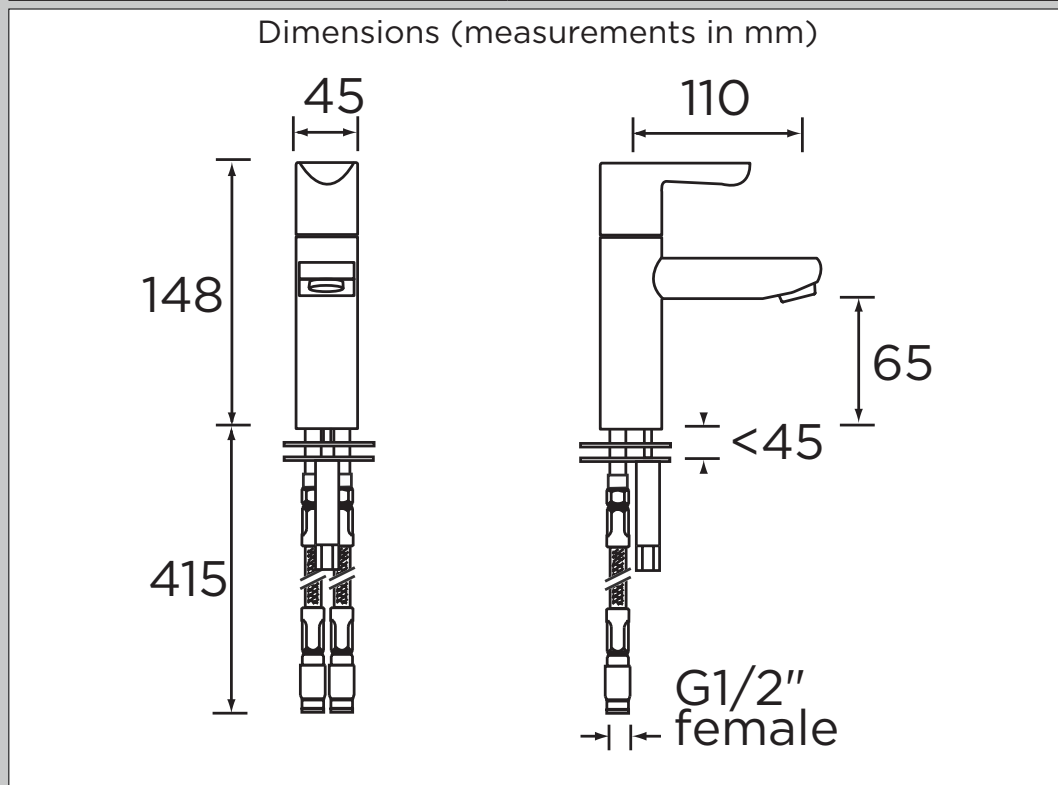


Specification	
Style:	Contemporary
Product Type:	Bathroom Taps
Finish/Colour:	Chrome
Main Construction Material:	Brass
Mount Type:	Deck Mounted
Handle Type:	Single Lever
Connection Inlet:	M10 x 530mm 15mm Compression Flexi Tails
Number of Tap Holes Required:	1
Valve/Cartridge Type:	35mm Ceramic Cartridge
Plumbing System Suitability	Ideally Balanced
Working Pressure Range:	Min. 0.2 bar, Max. 5.0 bar
Maximum Hot Water Temperature: °c	65
Maximum Dynamic Pressure: (bar)	5
Maximum Static Pressure: (bar)	10
Flow Type:	Single
Flow Rate: (l/min @ 3 bar)	27.9
Connection Outlet:	N/A
Isolation Included:	No

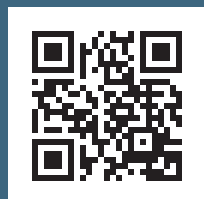
Features:

- Brass construction
- Minimum cold water supply temperature is 5°C can be controlled by repositioning the plastic collar under the control lever to limit its travel
- Easy-to-use lever handle
- Flexible tails included
- Metal fixing nut for added durability

Product Certifications:



For more products, visit our website:



Flow Rates (l/min)						
System Pressure (bar)	0.2	0.5	1	2	3	5
NR BASNW C (Open Outlet)	8.4	11	15.8	22.7	27.9	36.3

TECHNICAL
DATA
SHEET



BRISTAN
TAPS & SHOWERS

D4