

OL 3/4 C

OVAL Tap Range

Oval Bath Taps Chrome



Specification	
Style:	Contemporary
Product Type:	Bathroom Taps
Finish/Colour:	Chrome
Main Construction Material:	Brass
Mount Type:	Deck
Handle Type:	Lever
Connection Inlet:	3/4" BSP
Number of Tap Holes Required:	2
Valve/Cartridge Type:	3/4" Ceramic Disc Valves
Plumbing System Suitability	All, preferably balanced
Working Pressure Range:	Min 0.2 bar, Max 8.0 bar
Maximum Hot Water Temperature: °c	65
Maximum Dynamic Pressure: (bar)	8
Maximum Static Pressure: (bar)	10
Flow Type:	Single Flow
Flow Rate: (l/min @ 3 bar)	12.9
Connection Outlet:	
Isolation Included:	No

Features:

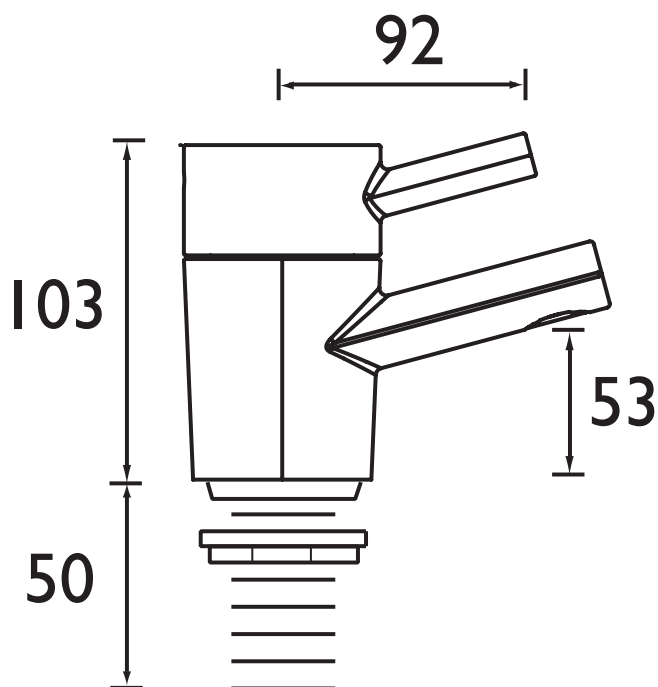
- Ceramic disc valve for smooth flow control
- High performance at pressures as low as 0.2 bar
- Easy-to-use lever handles
- Metal back nuts for added durability
-

Product Certifications:

For more products, visit our website:



Dimensions (measurements in mm)



Flow Rates (l/min)

System Pressure (bar)	0.2	0.5	1	2	3	5
OL 3/4 C	12.9	22.5	31.4	44.9	55	71

TECHNICAL DATA SHEET



BRISTAN

TAPS & SHOWERS

D4