

## ORTA Bath Filler

### Product Specification

Product Code:	OR BF C
Finish:	Chrome
Product Type:	Contemporary
Construction:	Body is of brass construction and is designed to conform to BS EN 200
Valve Type:	¼ turn ¾" ceramic disc valves
Supply:	Suitable for all plumbing systems
Inlet Connections:	¾" BSP threaded tail
Outlet Connections:	M24 Flow Straightener
Working Pressures:	Min 0.2bar, Max 10.0bar
Dimensions for Fitting:	180mm inlet centres

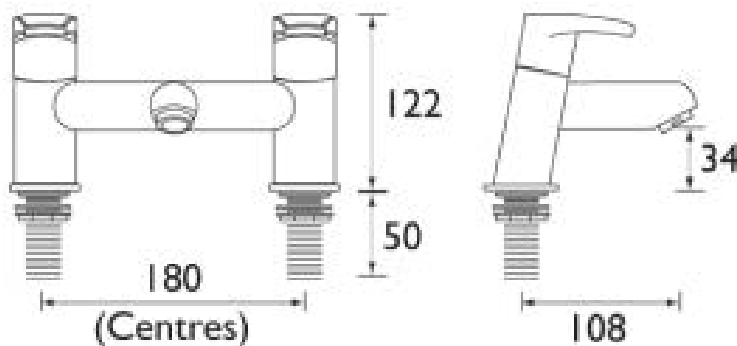


### Additional Information

- Supplied with metal handles
- Supplied with metal back nuts
- Chrome plated to BS EN 248

### Compliance/Approvals

WRAS Approval No: 1609014



### Flow Rates (litres per minute)

System Pressure	0.2bar	0.5bar	1bar	2bar	3bar	5bar
Open Outlet	23.7	37.5	53	74.95	91.8	118.51

**Technical Advice:** For further information please call 0844 7016273 or email [customercare@bristan.com](mailto:customercare@bristan.com)

**Guarantee:** 5 years covering manufacturing faults.