

TECHNICAL DATASHEET

Orta

Orta Bath Shower Mixer Chrome

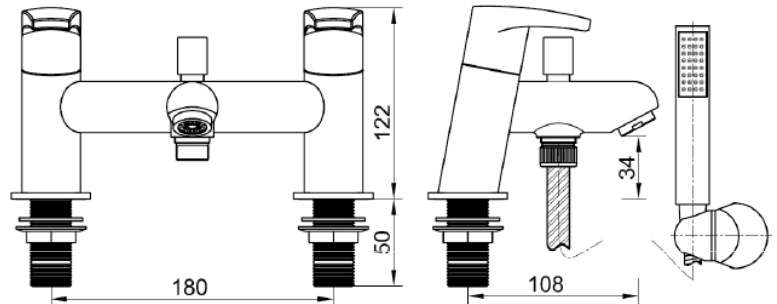
Product Specification

Product Code:	OR BSM E6 C, OR BSM E8 C
Finish:	Chrome Plated
Product Type:	Contemporary
Construction:	Body is of brass construction and is designed to conform to BS EN 200.
Valve Type:	¼ turn ¾" ceramic disc valves
Supply:	Suitable for all plumbing systems (Preferably balanced)
Inlet Connections:	2 x ¾" BSP threaded tails
Outlet Connection:	G ½"
Working Pressures:	Min 0.2bar, Max 7.0bar
Dimensions for Fitting:	180mm inlet centres



Additional Information

- Supplied with metal handles
- Supplied with metal backnuts
- Chrome plated to BS EN 248
- Supplied with rub clean handset, 1.75m hose & wall bracket
- Product supplied with either a 6 or 8 litre per minute flow regulator which can be fitted to the shower hose outlet to reduce water consumption and increase water efficiency (Flow Regulator accurate +/- 10%).



Technical Advice: For further information please call 0844 7016273 or email customer@bristan.com

Guarantee: 5 years covering manufacturing faults.

Compliance/Approvals

Manufactured to comply with WRAS

Flow Rates (litres per minute)

System Pressure	0.2bar	0.5bar	1bar	2bar	3bar	5bar
To Bath Fill	17.2	28.1	40.3	58.0	71.3	118.9
Without Flow Regulator Fitted (To Shower Outlet)	3.5	6.1	9.3	15.3	20.1	27.1
With 6 l/p/m Flow Regulator Fitted (To Shower Outlet)	--	--	6.0	6.0	6.0	6.0
With 8 l/p/m Flow Regulator Fitted (To Shower Outlet)	--	--	8.0	8.0	8.0	8.0