

TECHNICAL DATA SHEET

PIVOT Basin Mixer

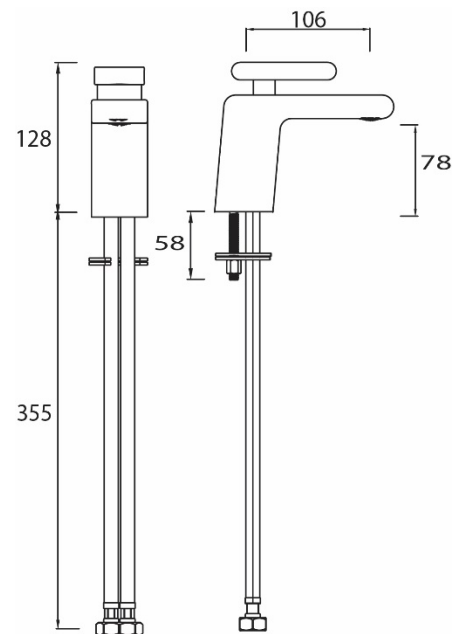
Product Specification

Product Code:	PIV BAS C
Finish:	Chrome plated
Product Type:	Contemporary
Construction:	Bodies are of all brass construction and is designed to conform to BS EN 200
Cartridge Type:	35mm Cartridge
Supply:	Suitable for all plumbing systems.
Inlet Connection:	M12 15mm Flexible Tails
Working Pressures:	Min 0.2 Bar Max 5.0 Bar



Additional Information

- Chrome plated to BS EN 248.
- Supplied with metal handle.
- Supplied with clicker waste.



Flow Rates (litres per minute)

System Pressure	0.2 bar	0.4 bar	0.5 bar	1.0 bar	2.0 bar	3.0 bar	4.0 bar
PIV BAS C (mixed)	4.7	7	7.8	11.7	16.7	20.7	24

Technical Advice: For further information please call 0844 7016273 or email customer@bristan.com.

Guarantee: 5 years covering manufacturing faults.