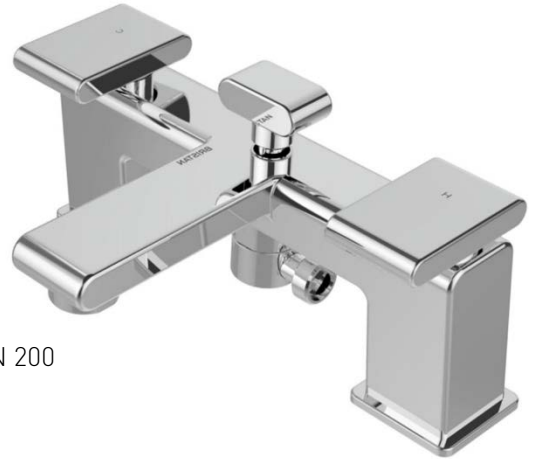


PIVOT Bath Shower Mixer

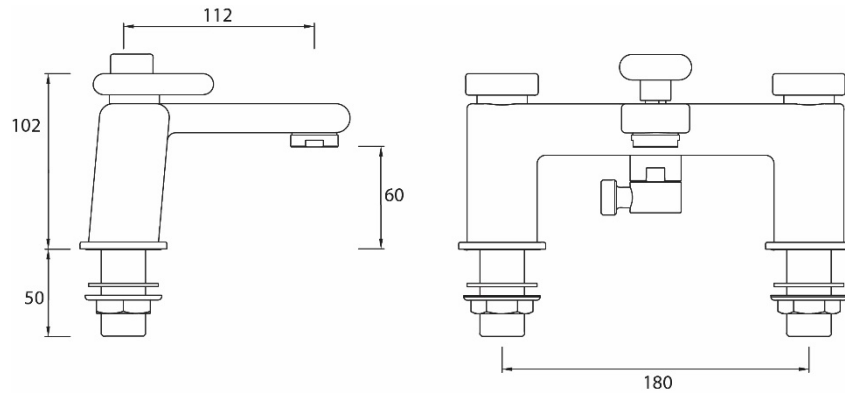
Product Specification

Product Code:	PIV BSM C
Finish:	Chrome plated
Product Type:	Contemporary
Construction:	Bodies are of all brass construction and is designed to conform to BS EN 200
Valve Type:	3/4" CD Valves 1/4 Turn
Supply:	Suitable for all plumbing systems.
Inlet Connection:	3/4" BSP Threaded Tail
Working Pressures:	Min 0.2 Bar Max 5.0 Bar



Additional Information

- Chrome plated to BS EN 248.
- Supplied with metal handles.
- Supplied with rub clean handset, wall bracket and 1.75m hose.



Flow Rates (litres per minute)

System Pressure	0.2 bar	0.4 bar	0.5 bar	1.0 bar	2.0 bar	3.0 bar	4.0 bar
PIV BSM C (mixed)	14.4	20.8	23.2	33.5	46.2	56.6	65.4
PIV BSM C (shower)	3.1	4.6	5.3	8.1	11.9	14.9	17.5

Technical Advice: For further information please call 0844 7016273 or email customercare@bristan.com.

Guarantee: 5 years covering manufacturing faults.

Bristan, Birch Coppice Business Park, Dordon, Tamworth, B78 1SG
 Telephone: 0844 701 6274 Facsimile: 0844 701 6275
 Web Site: www.bristan.com Email: enquire@bristan.com

