

PM BAS C

PRISM Tap Range Prism Basin Mixer with Pop-up Waste Chrome



Features:

- Ceramic disc cartridge for smooth temperature and flow control
- Easy-to-use lever handle
- Pop-up waste included
- Metal fixing nut for added durability
-

Product Certifications:

WRAS Certificate No: 1611005



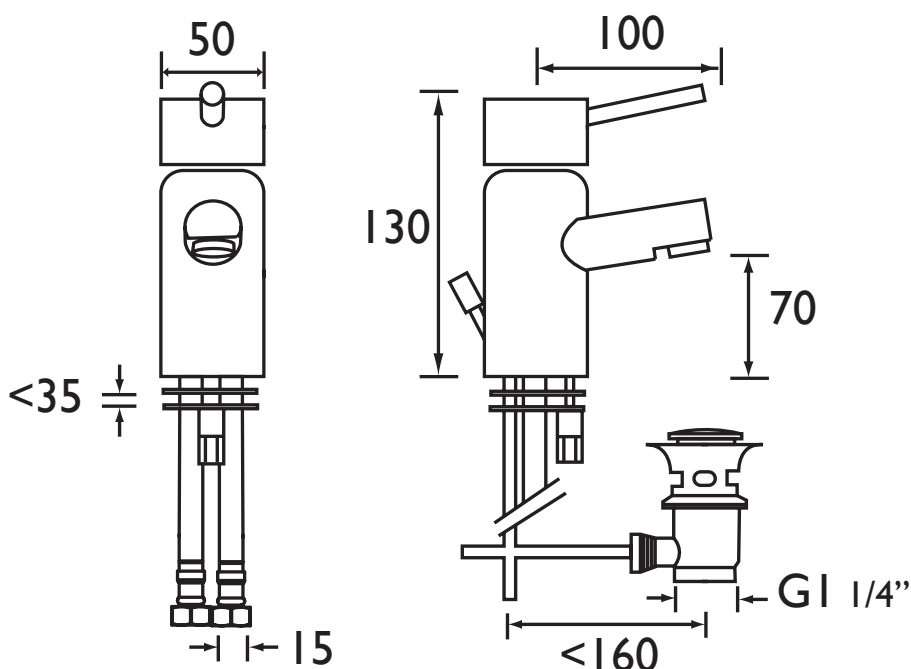
Also available in the PRISM Range is:



Specification

Style:	Contemporary
Product Type:	Taps
Finish/Colour:	Chrome
Main Construction Material:	Brass
Mount Type:	Deck
Handle Type:	Single Lever
Connection Inlet:	15mm Compression Flexible Tails
Number of Tap Holes Required:	1
Valve/Cartridge Type:	40mm Ceramic Cartridge
Plumbing System Suitability	Suitable for all plumbing systems
Working Pressure Range:	Min 0.2 bar, Max 8.0 bar
Maximum Hot Water Temperature: °c	65
Maximum Dynamic Pressure: (bar)	8
Maximum Static Pressure: (bar)	10
Flow Type:	Single Flow
Flow Rate: (l/min @ 3 bar)	28.1
Connection Outlet:	
Isolation Included:	No

Dimensions (measurements in mm)



Flow Rates (l/min)

System Pressure (bar)	0.2	0.5	1	2	3	5
PM BAS C	7.3	11.5	16.2	22.9	28.1	36.3

**TECHNICAL
DATA
SHEET**



BRISTAN
TAPS & SHOWERS

D7