

TECHNICAL DATA SHEET

PRISM

Basin Mixer with Pop-Up Waste

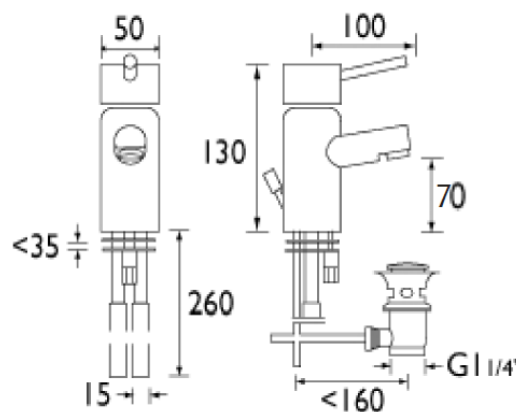
Product Specification

| | |
|--------------------|---|
| Product Codes: | PM BAS E4 C (4 l/pm) PM BAS E6 C (6 l/pm) |
| Finish: | Chrome |
| Product Type: | Contemporary |
| Construction: | Body is of brass construction and is designed to conform to BS EN 817 |
| Valve Type: | 40mm ceramic disc cartridge |
| Supply: | Suitable for all plumbing systems, preferably balanced |
| Inlet Connections: | M10 x 15mm screw-in copper connecting pipes |
| Working Pressures: | Min 0.2bar, Max 8.0bar |



Additional Information

- Supplied with Pop-up waste
- Supplied with metal handle
- Product supplied with either a 4 or 6 litre per minute flow regulator which can be fitted to the spout outlet to reduce water consumption and increase water efficiency (Flow Regulator accurate +/- 10%).
- Chrome plated to BS EN 248



Flow Rates (litres per minute)

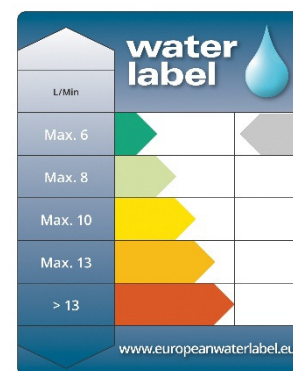
| System Pressure | 0.2bar | 0.5bar | 1bar | 2bar | 3bar | 5bar |
|------------------------------------|--------|--------|------|------|------|------|
| Without Flow Regulator Fitted | 5.4 | 9.4 | 13.7 | 19.6 | 24.2 | 31.3 |
| With 4 l/p/m Flow Regulator Fitted | -- | -- | 4 | 4 | 4 | 4 |
| With 6 l/p/m Flow Regulator Fitted | -- | -- | 6.0 | 6.0 | 6.0 | 6.0 |

Compliance/Approvals

Manufactured to comply with WRAS

Technical Advice: For further information please call 0844 7016273 or email customer@bristan.com

Guarantee: 5 years covering manufacturing faults.



Bristan, Birch Coppice Business Park, Dordon, Tamworth, B78 1SG
Telephone: 0844 701 6274 Facsimile: 0844 701 6275
Web Site: www.bristan.com Email: enquire@bristan.com



The information contained on this page was correct at date of issue. Fitting dimensions are provided as a guide only. Some variation may occur due to manufacturing tolerances. Bristan pursues a policy of continuing improvement in design and performance of its products and so reserves the right to change specifications without prior notice.