

TECHNICAL DATA SHEET

PRISM

Two Handled Basin Mixer without Waste

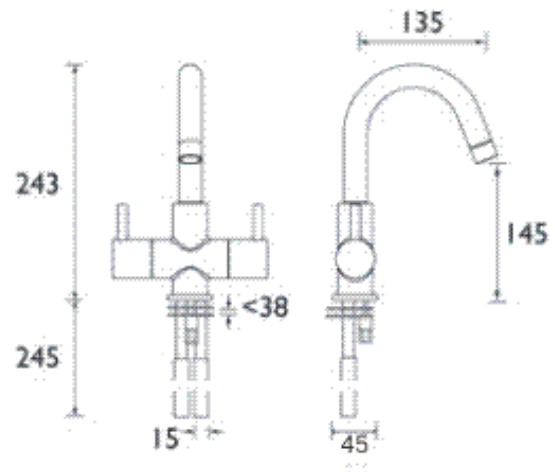
Product Specification

Product Code:	PM BAS2 C
Finish:	Chrome
Product Type:	Contemporary
Construction:	Body is of Brass Construction and is designed to conform to BS EN 200
Cartridge Type:	¼ turn ½" Ceramic Disc Valves
Inlet Connections:	M12 x 15mm Screw-in Copper Tail Pipes
Supply:	Suitable for all plumbing systems
Working Pressures:	Min 0.5 Bar, Max 8.0 Bar



Additional Information

- Chrome plated to BS EN 248
- Supplied with metal handle
- Includes swivel spout

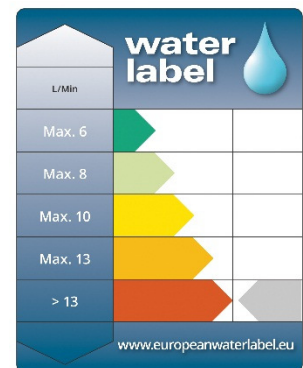


Flow Rates (litres per minute)

System Pressure	0.5 Bar	1.0 Bar	2.0 Bar	3.0 Bar	5.0 Bar
Open Outlet	7.9	11.9	17.2	22.2	28

Technical Advice: For further information please call 0844 7016273 or email customercare@bristan.com

Guarantee: 5 years covering manufacturing faults.



Bristan, Birch Coppice Business Park, Dordon, Tamworth, B78 1SG
Telephone: 0844 701 6274 Facsimile: 0844 701 6275
Web Site: www.bristan.com Email: enquire@bristan.com

