

# PS2 3/4 C

## PISA Tap Range Pisa 2 Bath Taps Chrome



### Features:

- Chrome Plated to BS EN 248

### Product Certifications:



TS|20/09/2017\_TRN 4201



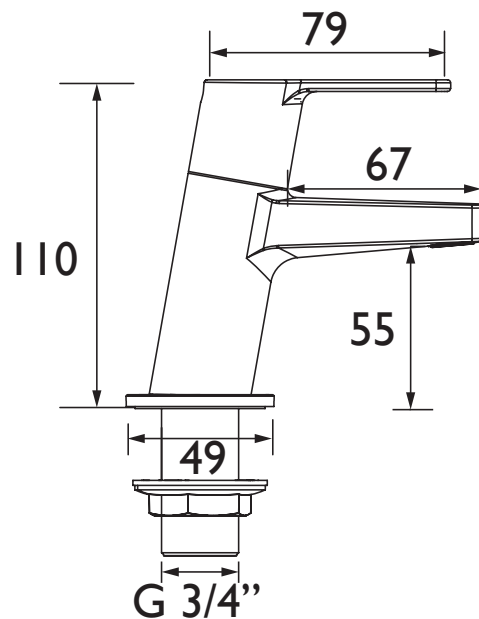
For more products, visit our website:  
<http://www.bristan.com>



### Specification

Style:	Contemporary
Product Type:	Bathroom Taps
Finish/Colour:	Chrome
Main Construction Material:	Brass
Mount Type:	Deck
Handle Type:	Lever
Connection Inlet:	G 3/4"
Number of Tap Holes:	2
Valve/Cartridge Type:	Ceramic Disc
Plumbing System Requirements:	All, preferably balanced
Working Pressure Range:	Min 0.3 bar, Max 5.0 bar
Maximum Hot Water Temperature: °C	80
Maximum Dynamic Pressure: (bar)	5
Maximum Static Pressure: (bar)	Max 10.0 bar
Flow Rate: (l/min @ 3 bar)	45

### Dimensions (measurements in mm)



### Flow Rates (l/min)

System Pressure (bar)	0.3	0.5	1	2	3	5
PS2 3/4 C	14	18.5	26	37	45	58

## TECHNICAL DATA SHEET



# BRISTAN

TAPS & SHOWERS

D1