

# PST EFSNK C

## PISTACHIO Tap Range Pistachio Easyfit Monobloc Sink Mixer Chrome



### Features:

- Unique patented technology
- Ceramic disc cartridge for added durability and ease of use
- Supplied with flexible connecting pipes
- Supplied with easy to use metal handle
- Chrome plated to BS EN 248

### Product Certifications:

WRAS Certificate No: 1312020  
WRAS Expiry Date: 31/12/2018



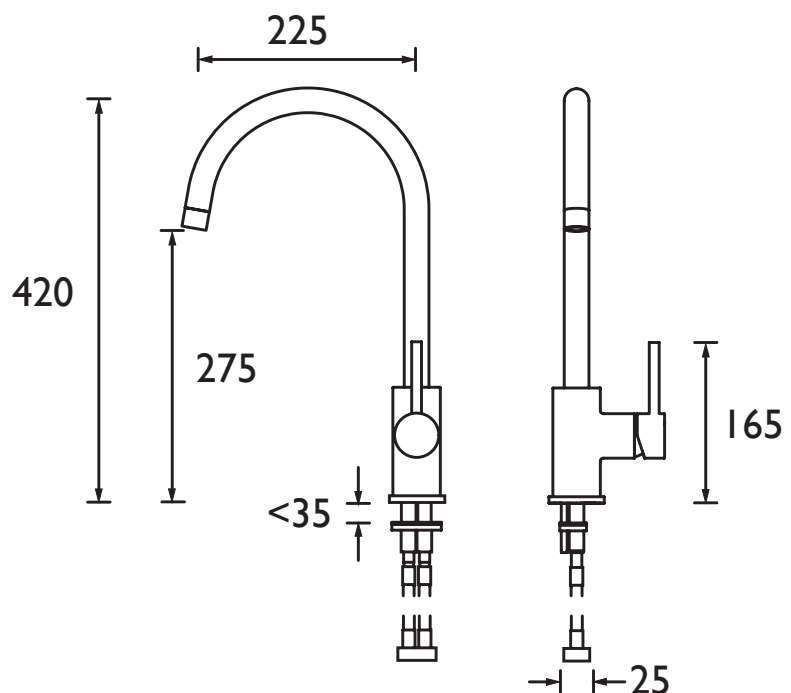
For more products, visit our website:



### Specification

<b>Style:</b>	Contemporary
<b>Product Type:</b>	Kitchen Taps
<b>Finish/Colour:</b>	Chrome
<b>Main Construction Material:</b>	Brass
<b>Mount Type:</b>	Deck
<b>Handle Type:</b>	Lever
<b>Connection Inlet:</b>	1/2" BSP Flexible Tails
<b>Number of Tap Holes Required:</b>	1
<b>Valve/Cartridge Type:</b>	35mm Cartridge
<b>Plumbing System Suitability</b>	All, preferably balanced
<b>Working Pressure Range:</b>	Min 0.5 Bar, Max 5.0 Bar
<b>Maximum Hot Water Temperature: °c</b>	65
<b>Maximum Dynamic Pressure: (bar)</b>	5
<b>Maximum Static Pressure: (bar)</b>	10
<b>Flow Type:</b>	Single Flow
<b>Flow Rate: (l/min @ 3 bar)</b>	24.3
<b>Connection Outlet:</b>	
<b>Isolation Included:</b>	Yes

### Dimensions (measurements in mm)



### Flow Rates (l/min)

System Pressure (bar)	0.5	1	2	3	4	5
<b>PST EFSNK C</b>	9.9	14	19.8	24.3	28.1	31.4

**TECHNICAL  
DATA  
SHEET**



**BRISTAN**  
TAPS & SHOWERS

D5